

## Product Description

The type PC2H is a stainless steel high capacity single point load cell with complete hermetic sealing. It is a perfect fit for use in harsh industrial environments.

## Application

- On-board vehicle weighing, floor scales, conveyor scales, hopper and tank weighing systems

## Key Features

- Capacity of 2 000 kg
- Stainless steel construction
- Environmental Protection IP68 with complete hermetic sealing
- Side mount, rugged design with low sensitivity to moment
- Maximum platform size up to 1 200 x 1 200 mm
- High input resistance

## Approvals

- OIML approval to C3 (Y = 10 000)
- ATEX hazardous area approval for Zone 0, 1, 2, 20, 21 and 22

## Option

- Y = 20 000 for C3

## Packed Weight

- 8.3 kg

## Available Accessories

- Compatible range of electronics

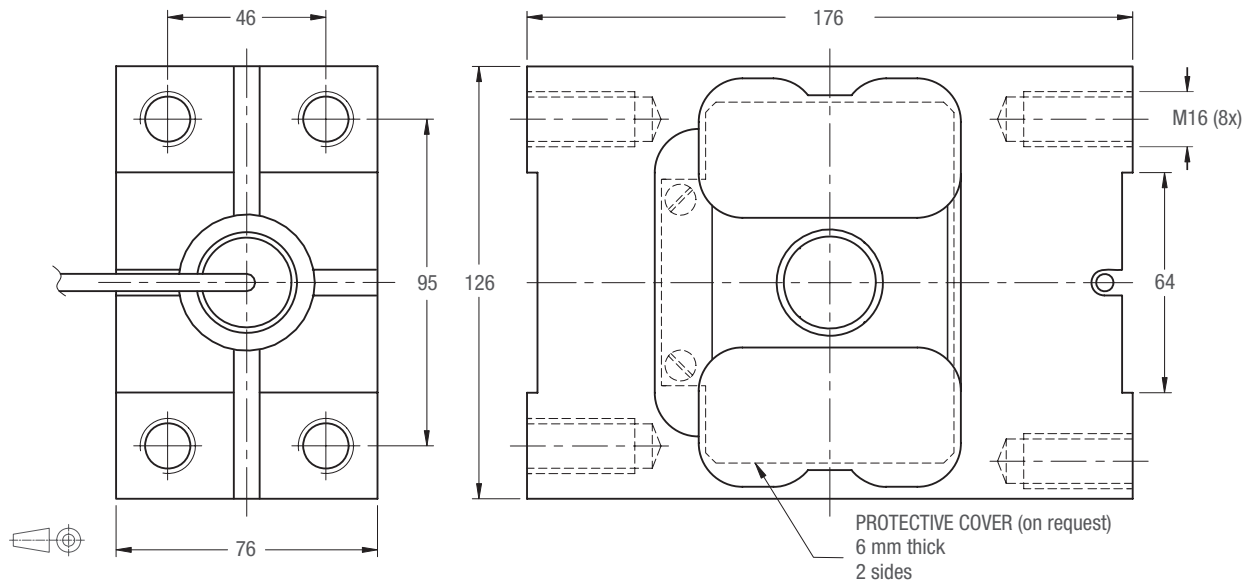
## Specifications

		(E <sub>max</sub> )	kg	2 000	
Accuracy class according to OIML R60				(GP)	C3
Maximum number of verification intervals		(n <sub>LC</sub> )		n.a.	3 000
Minimum load cell verification interval		(V <sub>min</sub> )		n.a.	E <sub>max</sub> /10 000
Temperature effect on minimum dead load output		(TC <sub>0</sub> )	%*RO/10°C	≤ ± 0.0400	≤ ± 0.0140
Temperature effect on sensitivity		(TC <sub>RO</sub> )	%*RO/10°C	≤ ± 0.0200	≤ ± 0.0100
Combined error			%*RO	≤ ± 0.0500	≤ ± 0.0200
Non-linearity			%*RO	≤ ± 0.0400	≤ ± 0.0166
Hysteresis			%*RO	≤ ± 0.0400	≤ ± 0.0166
Creep error (30 minutes) / DR			%*RO	≤ ± 0.0600	≤ ± 0.0166
Option	Min. load cell verification interval	(V <sub>min opt</sub> )		n.a.	E <sub>max</sub> /20 000
	Temp. effect on min. dead load output	(TC <sub>0 opt</sub> )	%*RO/10°C	n.a.	≤ ± 0.0070
Rated Output		(RO)	mV/V	2 ± 5%	
Zero balance			%*RO	≤ ± 5	
Excitation voltage			V	5...15	
Input resistance		(R <sub>LC</sub> )	Ω	1 100 ± 50	
Output resistance		(R <sub>out</sub> )	Ω	960 ± 50	
Insulation resistance (100 V DC)			MΩ	≥ 5 000	
Safe load limit		(E <sub>lim</sub> )	%*E <sub>max</sub>	200	
Ultimate load			%*E <sub>max</sub>	300	
Safe side load			%*E <sub>max</sub>	100	
Maximum off centre loading effect			%*RO/mm	≤ ± 0.00002	
Maximum off centre distance at maximum capacity			mm	175	
Compensated temperature range			°C	-10...+40	
Operating temperature range			°C	-40...+80 (ATEX -40...+60)	
Load cell material				stainless steel 17-4 PH (1.4548)	
Sealing				complete hermetic sealing; cable entry sealed by glass to metal header	
Protection according EN 60 529				IP68 (up to 2 m water depth) / IP69K	

The limits for Non-Linearity, Hysteresis, and TC<sub>RO</sub> are typical values.

The sum of Non-linearity, Hysteresis and TC<sub>RO</sub> meets the requirements according to OIML R60 with p<sub>LC</sub>=0.7.

## Dimensions (in mm)



Mounting bolts M16 8.8; torque 200 Nm. Torque value assumes oiled threads.

## Wiring

- The load cell is provided with a shielded, 6 conductor cable (AWG 26).  
Cable jacket polyurethane
- Cable length: 5 m
- Cable diameter: 5.8 mm
- The shield is floating or connected to the load cell body

