



Product Description

The type SB8L is a stainless steel beam type load cell with complete hermetic sealing. It is a perfect fit for use in industrial environments.

Application

- Platform scales, bench scales, conveyor scales, small hopper and tank weighing systems, bagging machines and other

Key Features

- Capacities from 300 kg to 1 000 kg
- Stainless steel construction
- Environmental Protection IP68 with complete hermetic sealing

Approvals

- OIML approval to C3 (Y = 12 000)

Packed Weight

- 2.4 kg

Available Accessories

- Compatible range of application hardware
- Compatible range of electronics available

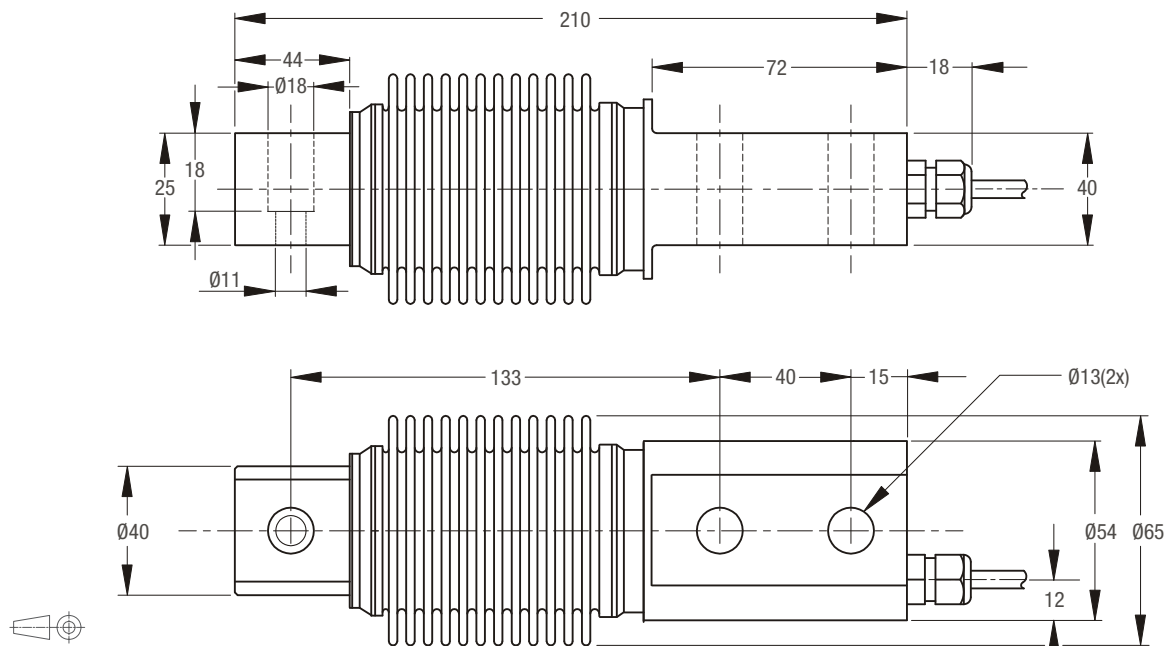
Specifications

Maximum capacity	(E _{max})	kg	300 / 500 / 1 000	
Minimum capacity	(E _{min})	kg	0.67% * E _{max}	
Accuracy class according OIML R60			(GP)	C3
Maximum number of verification intervals	(n _{LC})		n.V.	3 000
Minimum load cell verification interval	(V _{min})		n.V.	E _{max} /12 000
Temperature effect on minimum dead load output	(TC ₀)	%*RO/10°C	≤ ± 0.0400	≤ ± 0.0140
Temperature effect on sensitivity	(TC _{RO})	%*RO/10°C	≤ ± 0.0200	≤ ± 0.0110
Combined error		%*RO	≤ ± 0.0500	≤ ± 0.0200
Non-linearity		%*RO	≤ ± 0.0400	≤ ± 0.0166
Hysteresis		%*RO	≤ ± 0.0400	≤ ± 0.0166
Creep error (30 minutes)		%*RO	≤ ± 0.0600	≤ ± 0.0250
Rated output	(RO)	mV/V	2 ± 0.2%	
Zero balance		%*RO	≤ ± 3	
Excitation voltage		V	5...12	
Input resistance	(R _{LC})	Ω	385 ± 20	
Output resistance	(R _{out})	Ω	350 ± 1	
Insulation resistance (100 V DC)		MΩ	≥ 5 000	
Safe load limit	(E _{lim})	%*E _{max}	125	
Ultimate load		%*E _{max}	300	
Safe side load		%*E _{max}	100	
Compensated temperature range		°C	-10...+40	
Operating temperature range		°C	-30...+50	
Load cell material			stainless steel 17-4 PH (1.4548)	
Protection according EN 60 529			IP68 (up to 2 m water depth)	

The limits for Non-Linearity, Hysteresis and TC_{RO} are typical values.

The sum of Non-Linearity, Hysteresis and TC_{RO} meets the requirements according to OIML R 60 with p_{LC}=0.7.

Dimensions (in mm)



Mounting bolts M12 8.8; torque 90 Nm. Torque value assumes oiled threads.

Wiring

- The load cell is provided with a shielded, 4 conductor cable (AWG 24).
Cable jacket polyurethane
- Cable length: 3 m
- Cable diameter: 5.8 mm
- The shield is not connected to the load cell body

