

## Product Description

The type PC52 is an aluminium single point load cell with an improved potting.

## Application

- Retail scales, bench scales and process scales (e.g. gas bottle scale)

## Key Features

- Capacity of 200 kg
- Aluminium construction
- Environmental Protection IP67
- Very low profile design
- Maximum platform size up to 250 x 250 mm

## Packed Weight

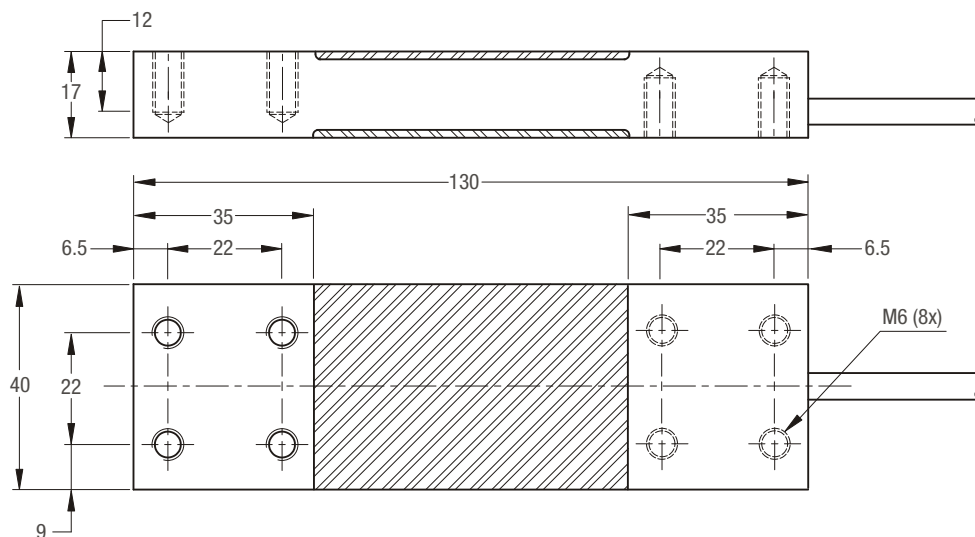
- 0.4 kg

## Available Accessories

- Compatible range of electronics

Specifications			
Maximum capacity	( $E_{max}$ )	kg	200
Accuracy class			(GP)
Temperature effect on minimum dead load output	( $TC_0$ )	$\% \cdot RO / 10^\circ C$	$\leq \pm 0.2500$
Temperature effect on sensitivity	( $TC_{RO}$ )	$\% \cdot RO / 10^\circ C$	$\leq \pm 0.0700$
Combined error		$\% \cdot RO$	$\leq \pm 0.0400$
Creep error (30 minutes) / DR		$\% \cdot RO$	$\leq \pm 0.0400$
Rated output	(RO)	mV/V	$2 \pm 5\%$
Zero balance		$\% \cdot RO$	$\leq \pm 5$
Excitation voltage		V	5...15
Input resistance	( $R_{LC}$ )	$\Omega$	$1150 \pm 50$
Output resistance	( $R_{out}$ )	$\Omega$	$1000 \pm 100$
Insulation resistance (100 V DC)		M $\Omega$	$\geq 10000$
Safe load limit	( $E_{lim}$ )	$\% \cdot E_{max}$	200
Ultimate load		$\% \cdot E_{max}$	300
Safe side load		$\% \cdot E_{max}$	100
Maximum platform size; loading acc. OIML R76		mm	250 x 250
Maximum off centre distance at maximum capacity		mm	95
Compensated temperature range		$^\circ C$	-10...+40
Operating temperature range		$^\circ C$	-20...+65
Load cell material			aluminium
Sealing			potted
Protection according EN 60 529			IP67

### Dimensions (in mm)



Mounting bolts M6 8.8; torque 10 Nm. Torque value assumes oiled threads.

### Wiring

- The load cell is provided with a shielded, 6 conductor cable (AWG 26). Cable jacket polyurethane
- Cable length: 0.315 m
- Cable diameter: 5.8 mm
- The shield is connected to the load cell body

