



Product Description

The type WPM is a mini planar beam load cell with integrated load mount within an aluminium enclosure.

Using 3 or 4 type WPM load cells is an alternative to a single point load cell configuration with the additional benefit of a practical unlimited platform size.

Application

- Compact scales, bench, retail and counting scales, special applications in medical and other areas

Key Features

- Capacity of 37.5 lb (17 kg)
- Aluminium construction
- Calibration in mV/V/ Ω for accuracy class G3

Packed Weight

- appr. 0.3 kg

Available Accessories

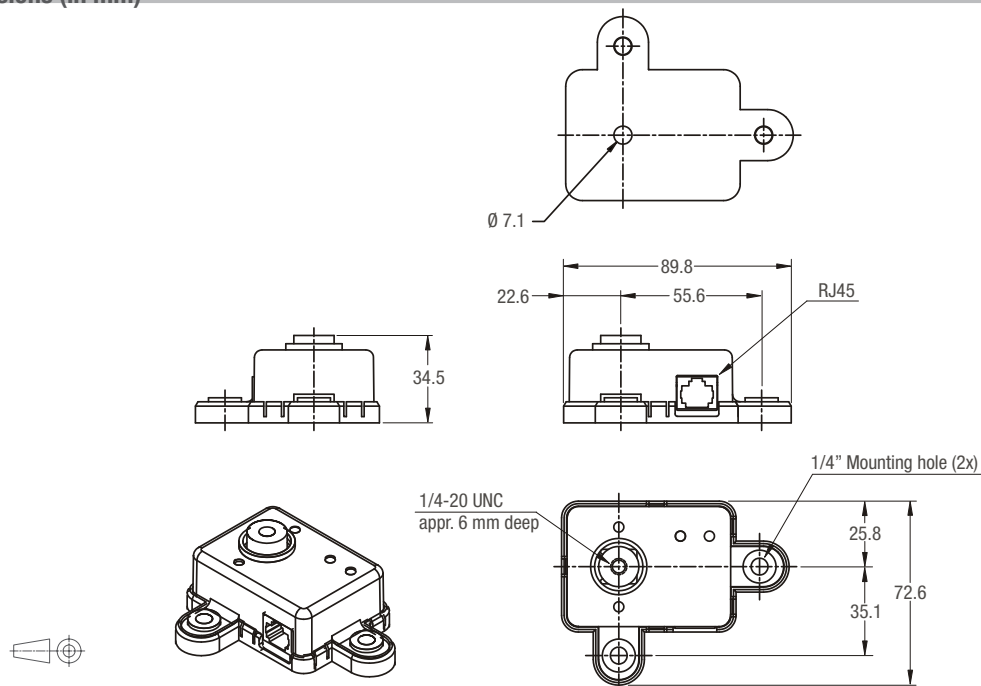
- Compatible range of electronics

Specifications

Maximum capacity	(E _{max})	lb	37.5	
Metric equivalent (1 lb = 0.45359 kg)		kg	17	
Accuracy class according OIML R 60			(GP)	G3
Maximum number of verification intervals	(n _{LC})		n.a.	3 000
Minimum load cell verification interval	(V _{min})		n.a.	E _{max} /7 500
Temperature effect on minimum dead load output	(TC ₀)	%*RO/10°C	≤ ± 0.0400	≤ ± 0.0187
Temperature effect on sensitivity	(TC _{RO})	%*RO/10°C	≤ ± 0.0200	≤ ± 0.0100
Combined error		%*RO	≤ ± 0.0500	≤ ± 0.0200
Non-linearity		%*RO	≤ ± 0.0400	≤ ± 0.0166
Hysteresis		%*RO	≤ ± 0.0400	≤ ± 0.0166
Creep error (30 minutes) / DR		%*RO	≤ ± 0.0600	≤ ± 0.0166
Rated output	(RO)	mV/V	1 ± 15%	1 ± 15%
Calibration in mV/V/Ω		%*RO	n.a.	≤ ± 0.05
Zero balance		%*RO	≤ ± 5	
Excitation voltage		V	5...15	
Input resistance	(R _{LC})	Ω	401 ± 10	
Output resistance	(R _{out})	Ω	385 ± 35	
Insulation resistance (100 V DC)		MΩ	≥ 5 000	
Safe load limit	(E _{lim})	%*E _{max}	300	
Ultimate load		%*E _{max}	400	
Safe side load		%*E _{max}	200	
Compensated temperature range		°C	-10...+40	
Operating temperature range		°C	-10...+65	
Load cell material			Aluminium	
Enclosure			Aluminium	
Load mount			Natural rubber	

The limits for Non-linearity, Hysteresis and TC_{RO} are typical values.
The sum of Non-linearity, Hysteresis and TC_{RO} meets the requirements according to OIML R60 with p_{LC}=0.7.

Dimensions (in mm)



Wiring

- Cable connection is done via one RJ-45 socket.

Connector pin	Function
1	+ Signal
2	- Signal
4	+ Excitation / + Sense
5	- Excitation / - Sense