

## Product Description

The type ZLS is a very low profile Planar Beam load cell. Its unique Flintec design allows for an extremely low scale construction. Type ZLS offers a stainless steel construction with industrial potting making it suitable for use in industrial environments.

## Application

- Compact scales, bench and floor scales, counting scales as well as other special applications

## Key Features

- Capacities from 20 kg to 200 kg
- Stainless steel construction
- Environmental Protection IP67
- Very low profile design
- High input resistance

## Packed Weight

- Approx. 0.8 kg

## Available Accessories

- Load mounts
- Compatible range of electronics

## Specifications

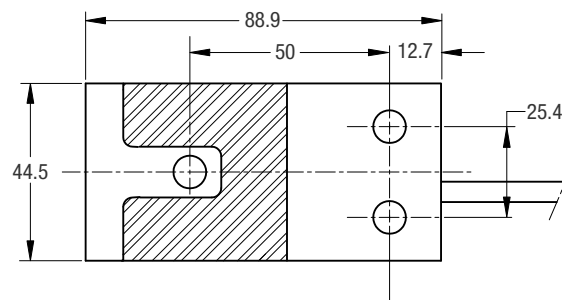
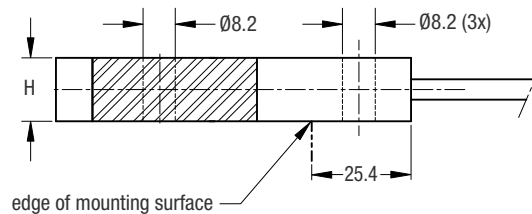
	(E <sub>max</sub> )	kg	20 / 50 / 100 / 200		
			(GP)	G1*	G3*
Maximum capacity					
Accuracy class				G1*	G3*
Maximum number of verification intervals	(n <sub>max</sub> )		n.a.	1 000	3 000
Minimum load cell verification interval	(v <sub>min</sub> )		n.a.	E <sub>max</sub> /5 000	E <sub>max</sub> /5 000
Temperature effect on minimum dead load output	(TC <sub>0</sub> )	%*RO/10°C	≤ ± 0.0400	≤ ± 0.0280	≤ ± 0.0140
Temperature effect on sensitivity	(TC <sub>RO</sub> )	%*RO/10°C	≤ ± 0.0200	≤ ± 0.0160	≤ ± 0.0100
Combined error		%*RO	≤ ± 0.0500	≤ ± 0.0300	≤ ± 0.0200
Non linearity		%*RO	≤ ± 0.0400	≤ ± 0.0300	≤ ± 0.0166
Hysteresis		%*RO	≤ ± 0.0400	≤ ± 0.0300	≤ ± 0.0166
Creep error (30 minutes) / DR		%*RO	≤ ± 0.0600	≤ ± 0.0490	≤ ± 0.0166
Rated Output	(RO)	mV/V		2 ± 0.1%	
Zero balance		%*RO		≤ ± 5	
Excitation voltage		V		5...15	
Input resistance	(R <sub>LC</sub> )	Ω		1 106 ± 5	
Output resistance	(R <sub>out</sub> )	Ω		1 000 ± 2	
Insulation resistance (100 V DC)		MΩ		≥ 5 000	
Safe load limit	(E <sub>lim</sub> )	%*E <sub>max</sub>		200	
Ultimate load		%*E <sub>max</sub>		300	
Safe side load		%*E <sub>max</sub>		100	
Compensated temperature range		°C		-10...+40	
Operating temperature range		°C		-20...+65	
Load cell material				stainless steel	
Sealing				potting	
Protection according EN 60 529				IP67	

\* Fulfills the corresponding accuracy class according OIML R60 (C1 respective C3), but no OIML test certificate is available.  
The limits for Non-Linearity, Hysteresis, and TC<sub>RO</sub> are typical values.

## Dimensions (in mm)

Type	H	Mounting bolts	Torque *
ZLS-20....100 kg	9.5	M8 8.8	25 Nm
ZLS-200 kg	12.7	M8 8.8	25 Nm

\* Torque values assume oiled threads.



## Wiring

- The load cell is provided with a shielded, 4 conductor cable (AWG 24).  
Cable jacket polyurethane
- Cable length: 3 m
- Cable diameter: 5 mm
- The shield is floating  
(On request the shield can be connected to the load cell body)

