



Product Description

The type CC1 is a stainless steel compression type load cell with complete hermetic sealing. It is a perfect fit for use in harsh industrial environments.

Application

- Bump monitoring systems

Key Features

- Capacity of 30 klb (13.6 t)
- Stainless steel construction
- Environmental Protection IP68 with complete hermetic sealing
- Traceable calibration in accordance with NIST (National Institute of Standards and Technology)

Packed Weight

- 2.45 kg

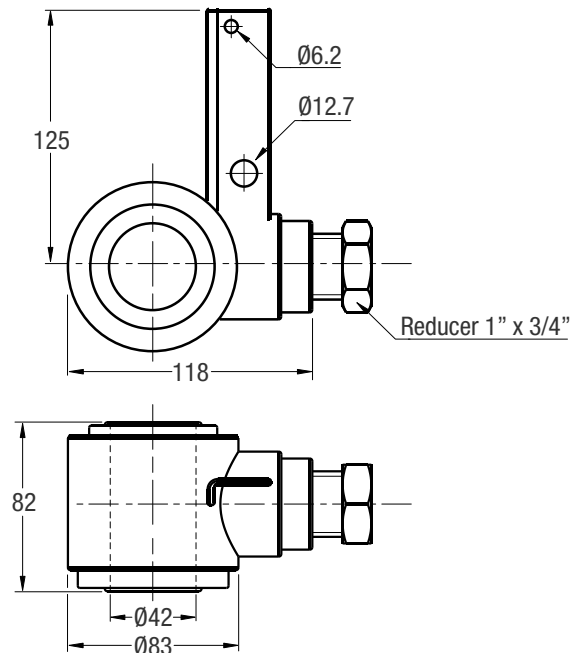
Available Accessories

- Compatible range of electronics

Specifications

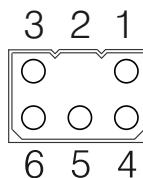
Maximum capacity	(E _{max})	klb	30
Metric equivalents (1 klb=0.45359 t)		t	13.6
Temperature effect on zero output	(TC ₀)	%*RO/°C	≤ ± 0.027 (≤ ± 0.0015 %*RO/°F)
Temperature effect on sensitivity	(TC _{RO})	%*RO/°C	≤ ± 0.036 (≤ ± 0.002 %*RO/°F)
Non-linearity		%*RO	≤ ± 0.03
Hysteresis		%*RO	≤ ± 0.03
Repeatability		%*RO	≤ ± 0.02
Rated Output	(RO)	mV/V	2 ± 0.5 %
Zero balance		%*RO	≤ ± 1
Excitation voltage		V	5...15
Input resistance	(R _{LC})	Ω	760 ± 0.5%
Output resistance	(R _{out})	Ω	700 ± 0.1%
Insulation resistance (100 V DC)		MΩ	≥ 500
Safe load limit	(E _{lim})	%*E _{max}	200
Compensated temperature range		°C	-25...+65 (-14...+150 °F)
Operating temperature range		°C	-55...+88 (-70...+190 °F)
Load cell material			stainless steel 17-4 PH (1.4548)
Sealing			complete hermetic sealing; cable entry sealed by glass to metal header
Protection according EN 60 529			IP68 (up to 2 m water depth) / IP69K

Dimensions (in mm)



Wiring

- The load cell is provided with a standard 6-pin male connector and a threaded connector shell.



Connector pin	Function
4	+ Excitation
6	+ Signal
1	- Excitation
3	- Signal
5	Ground
2	not connected