

Product Description

The type PC2 is a stainless steel single point load cell with complete hermetic sealing. It is a perfect fit for use in harsh industrial environments.

Application

- Conveyor scales, hopper and tank weighing systems

Key Features

- Capacities of 20 kg and 150 kg
- Stainless steel construction
- Environmental Protection IP68 with complete hermetic sealing
- Suitable for wall mounting
- Maximum platform size up to 1 000 x 1 000 mm
- High input resistance

Approvals

- ATEX hazardous area approval for Zone 0, 1, 2, 20, 21 and 22
- FM hazardous area approval

Packed Weight

- | | | |
|-----------------|-----|-----|
| ■ Capacity (kg) | 20 | 150 |
| Weight (kg) | 1.8 | 2.0 |

Available Accessories

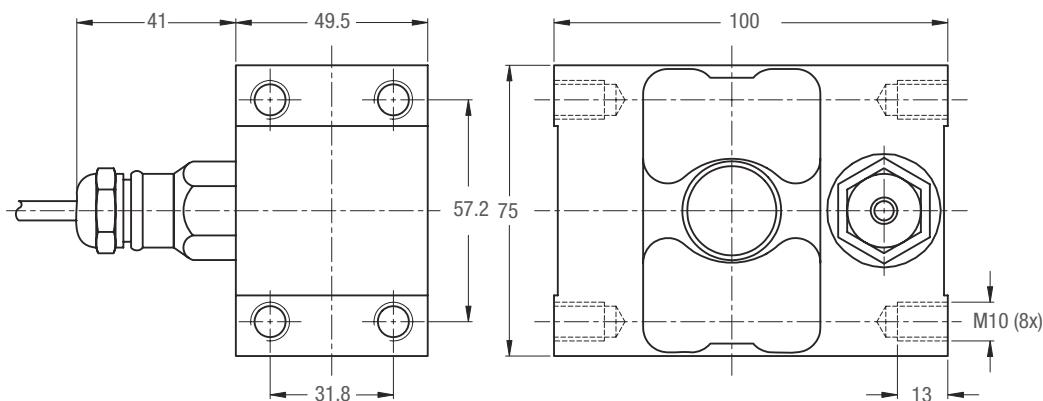
- Compatible range of electronics

Specifications

		20 / 150	
Maximum capacity	(E _{max})	kg	
Accuracy class according to OIML R60			(GP) C3
Maximum number of verification intervals	(n _{LC})		n.a. 3 000
Minimum load cell verification interval	(v _{min})		n.a. E _{max} / 10 000
Temperature effect on minimum dead load output	(TC ₀)	%*RO/10°C	≤ ± 0.0400 ≤ ± 0.0140
Temperature effect on sensitivity	(TC _{RO})	%*RO/10°C	≤ ± 0.0200 ≤ ± 0.0100
Combined error		%*RO	≤ ± 0.0500 ≤ ± 0.0200
Non-linearity		%*RO	≤ ± 0.0400 ≤ ± 0.0166
Hysteresis		%*RO	≤ ± 0.0400 ≤ ± 0.0166
Creep error (30 minutes)		%*RO	≤ ± 0.0600 ≤ ± 0.0166
Rated Output	(RO)	mV/V	2 ± 5%
Zero balance		%*RO	≤ ± 5
Excitation voltage		V	5...15
Input resistance (100 V DC)	(R _{LC})	Ω	1 100 ± 50
Output resistance	(R _{out})	Ω	960 ± 50
Insulation resistance		MΩ	≥ 5 000
Safe load limit	(E _{lim})	%*E _{max}	200
Ultimate load		%*E _{max}	300
Safe side load		%*E _{max}	100
Maximum platform size; loading acc. to OIML R76		mm	600 x 600 for 20 kg / 1 000 x 1 000 for 150 kg
Maximum off centre distance at maximum capacity		mm	250 for 20 kg / 400 for 150 kg
Compensated temperature range		°C	-10...+40
Operating temperature range		°C	-40...+80 (ATEX -40...+60)
Load cell material			stainless steel 17-4 PH (1.4548)
Sealing			complete hermetic sealing; cable entry sealed by a glass to metal header
Protection according EN 60 529			IP68 (up to 2 m water depth) / IP69K

The limits for Non-Linearity, Hysteresis, and TC_{RO} are typical values.
The sum of Non-linearity, Hysteresis and TC_{RO} meets the requirements according to OIML R60 with p_{LC}=0.7.

Dimensions (in mm)



Mounting bolts M10 8.8; torque 50 Nm. Torque value assumes oiled threads.

Wiring

- The load cell is provided with a shielded, 4 conductor cable (AWG 24).
Cable jacket polyurethane
- Cable length: 3 m
- Cable diameter: 5 mm
- The shield is floating

On request the shield can be connected to the load cell body.

