

## Product Description

The type CPB is a very low profile compact planar beam load cell. Its unique Flintec design allows for an extremely low scale construction.

## Application

- Compact scales, bench and floor scales, special applications in medical and other areas

## Key Features

- Capacities from 3 kg to 60 kg
- Aluminium construction
- Environmental Protection IP65
- Very low profile design
- Single point performance
- Maximum platform size up to 350 x 350 mm

## Approvals

- OIML approval to C3 (Y = 7 500) for capacities 15 to 60 kg, lower capacities in preparation
- FM hazardous area approval

## Packed Weight

■ Capacity (kg)	3–15	30–60
Weight (kg)	0.5	0.75

## Available Accessories

- Compatible range of electronics

### Specifications

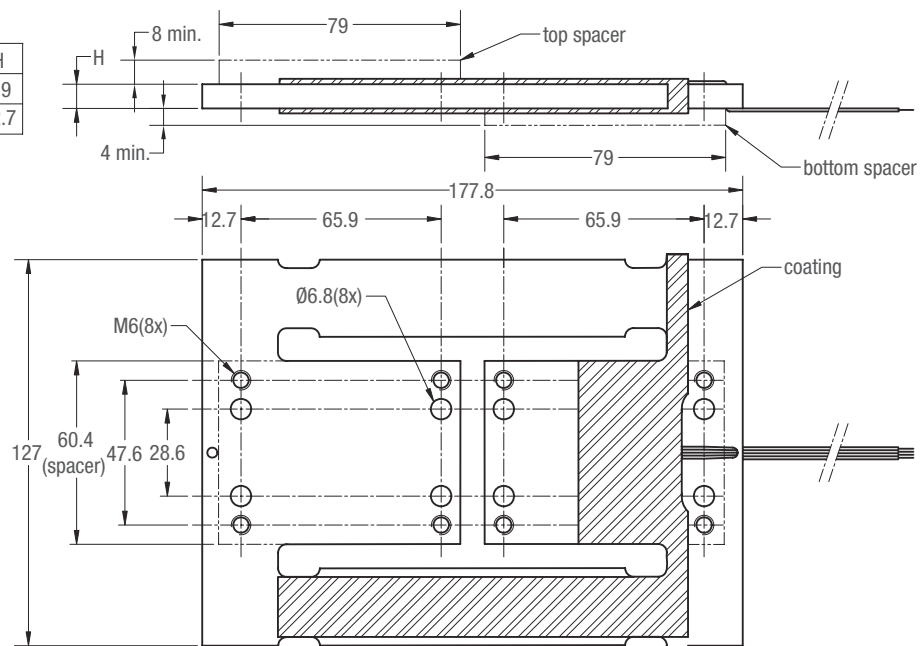
Maximum capacity	(E <sub>max</sub> )	kg	3 / 6 / 15 / 30 / 60	
Accuracy class according to OIML R60			(GP)	C3
Maximum number of verification intervals	(n <sub>max</sub> )		n.a.	3000
Minimum load cell verification interval	(v <sub>min</sub> )		n.a.	E <sub>max</sub> / 7500
Temperature effect on minimum dead load output	(TC <sub>0</sub> )	%*R <sub>0</sub> /10°C	≤ ± 0.0400	≤ ± 0.0187
Temperature effect on sensitivity	(TC <sub>R0</sub> )	%*R <sub>0</sub> /10°C	≤ ± 0.0200	≤ ± 0.0100
Combined error		%*R <sub>0</sub>	≤ ± 0.0500	≤ ± 0.0200
Non-linearity		%*R <sub>0</sub>	≤ ± 0.0400	≤ ± 0.0166
Hysteresis		%*R <sub>0</sub>	≤ ± 0.0400	≤ ± 0.0166
Creep error (30 minutes) / DR		%*R <sub>0</sub>	≤ ± 0.0600	≤ ± 0.0166
Rated Output	(R <sub>0</sub> )	mV/V	1 ± 10%	
Zero balance		%*R <sub>0</sub>	≤ ± 5	
Excitation voltage		V	5...15	
Input resistance	(R <sub>LC</sub> )	Ω	415 ± 20	
Output resistance	(R <sub>out</sub> )	Ω	350 ± 25	
Insulation resistance (100 V DC)		MΩ	≥ 5000	
Safe load limit	(E <sub>lim</sub> )	%*E <sub>max</sub>	300	
Ultimate load		%*E <sub>max</sub>	400	
Safe side load		%*E <sub>max</sub>	200	
Maximum platform size; loading acc. to OIML R76		mm	300 x 300 for 3 to 15 kg / 350 x 350 for 30 and 60 kg	
Compensated temperature range		°C	-10...+40	
Operating temperature range		°C	-10...+65	
Load cell material			aluminium	
Sealing			environmentally sealed	
Protection according EN 60 529			IP65	

The limits for Non-Linearity, Hysteresis, and TC<sub>R0</sub> are typical values.

The sum of Non-linearity, Hysteresis and TC<sub>R0</sub> meets the requirements according to OIML R60 with p<sub>LC</sub>=0.7.

### Dimensions (in mm)

dimension	H
3...15 kg	7.9
30...60 kg	12.7



### Wiring

- The load cell is provided with a 4 conductor ribbon cable
- Cable length: 250 mm

