



## Product Description

The type PC42 is an aluminium single point load cell with an improved potting.

## Application

- Retail scales, bench scales and conveyor scales

## Key Features

- Wide range of capacities from 5 kg to 200 kg
- Aluminium construction
- Environmental Protection IP67
- Maximum platform size up to 400 x 400 mm
- Integral mounting spacer

## Approvals

- OIML approval to C3 (Y = 10 000)
- ATEX hazardous area approval for Zone 0, 1, 2, 20, 21 and 22
- FM hazardous area approval

## Option

- Y = 15 000 for C3

## Packed Weight

- 0.5 kg

## Available Accessories

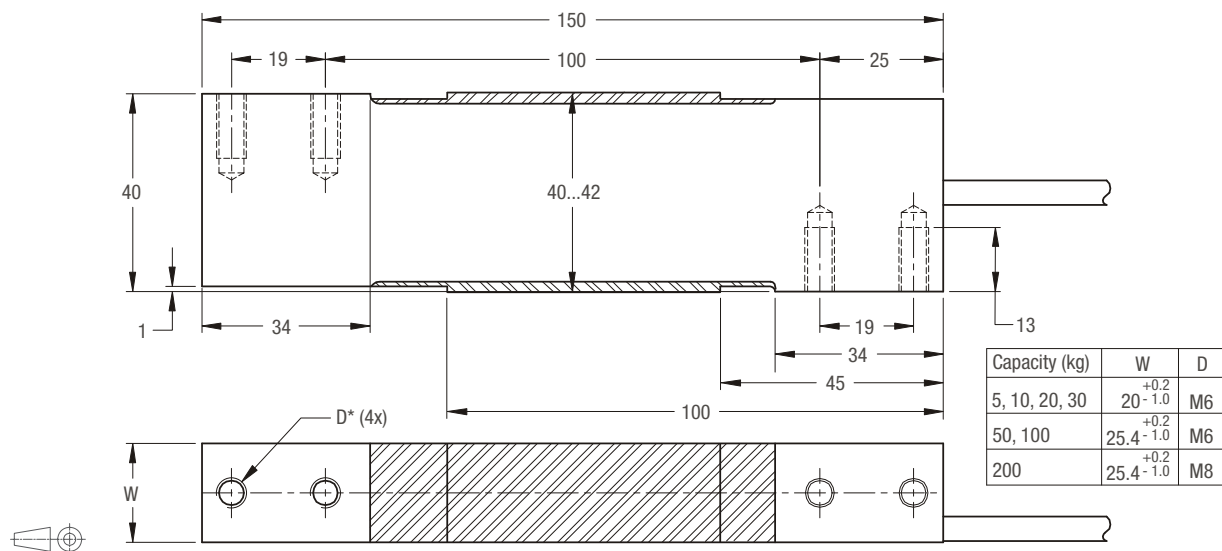
- Compatible range of electronics

## Specifications

		(E <sub>max</sub> )	kg	5 / 10 / 20 / 30 / 50 / 100 / 200	
Accuracy class according to OIML R60				(GP)	C3
Maximum number of verification intervals		(n <sub>LC</sub> )		n.a.	3 000
Minimum load cell verification interval		(v <sub>min</sub> )		n.a.	E <sub>max</sub> / 10 000
Temperature effect on minimum dead load output		(TC <sub>0</sub> )	%*RO/10°C	≤ ± 0.0400	≤ ± 0.0140
Temperature effect on sensitivity		(TC <sub>RO</sub> )	%*RO/10°C	≤ ± 0.0200	≤ ± 0.0100
Combined error			%*RO	≤ ± 0.0500	≤ ± 0.0200
Non-linearity			%*RO	≤ ± 0.0400	≤ ± 0.0166
Hysteresis			%*RO	≤ ± 0.0400	≤ ± 0.0166
Creep error (30 minutes) / DR			%*RO	≤ ± 0.0600	≤ ± 0.0166
Option	Min. load cell verification interval	(v <sub>min opt</sub> )		n.a.	E <sub>max</sub> / 15 000
	Temp. effect on min. dead load output	(TC <sub>0 opt</sub> )	%*RO/10°C	n.a.	≤ ± 0.0093
Rated Output		(RO)	mV/V	2 ± 10%	
Zero balance			%*RO	≤ ± 5	
Excitation voltage			V	5...15	
Input resistance		(R <sub>LC</sub> )	Ω	413 ± 20	
Output resistance		(R <sub>out</sub> )	Ω	350 ± 25	
Insulation resistance (100 V DC)			MΩ	≥ 5 000	
Safe load limit		(E <sub>lim</sub> )	%*E <sub>max</sub>	150	
Ultimate load			%*E <sub>max</sub>	300	
Safe side load			%*E <sub>max</sub>	100	
Maximum platform size; loading acc. to OIML R76			mm	400 x 400	
Maximum off centre distance at maximum capacity			mm	135	
Compensated temperature range			°C	-10...+40	
Operating temperature range			°C	-20...+65 (ATEX -20...+60)	
Load cell material				aluminium	
Sealing				potted	
Protection according EN 60 529				IP67	

The limits for Non-Linearity, Hysteresis, and TC<sub>RO</sub> are typical values.  
The sum of Non-linearity, Hysteresis and TC<sub>RO</sub> meets the requirements according to OIML R60 with p<sub>LC</sub>=0.7.

## Dimensions (in mm)



Mounting bolts up to 100 kg: M6 8.8 / torque 10 Nm; for 200 kg: M8 8.8 / torque 25 Nm. Torque values assume oiled threads.  
\* Unified thread 1/4-20 UNC is available.

## Wiring

- The load cell is provided with a shielded, 6 conductor cable (AWG 26). Cable jacket polyurethane
- Cable length: 2 m
- Cable diameter: 5.8 mm
- The shield is connected to the load cell body

