

20 kg ... 10 t



Rubber element with flange 52-05 and SB4 load cell combined with base plate 52-00

Product Description

Flintec load cell supports are designed to prevent unwanted forces from affecting load cell performance.

The type 52-05 is a self aligning rubber element with flange, combining excellent load introduction with low profile design.

Especially designed for the SB4, SB5, SB6, SB14 and SLB load cells.

Material: steel, zinc plated; alternatively stainless steel.

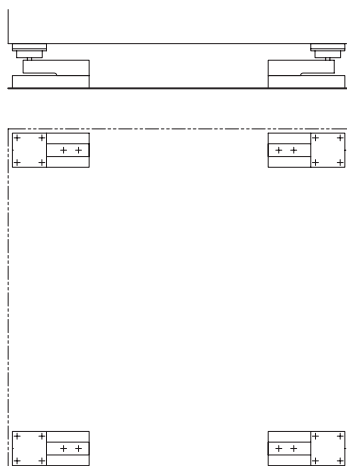
Key Features

- Blind hole load introduction
- Capacity range: 20 kg to 10 000 kg
- Low profile
- High lateral compliance
- Very easy to install
- Especially designed for hopper, mixer and platform scales
- W&M certified

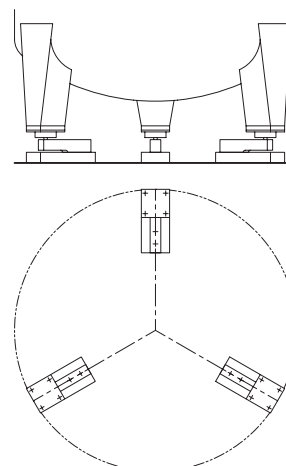
Available Accessory

- Welding plate

Examples

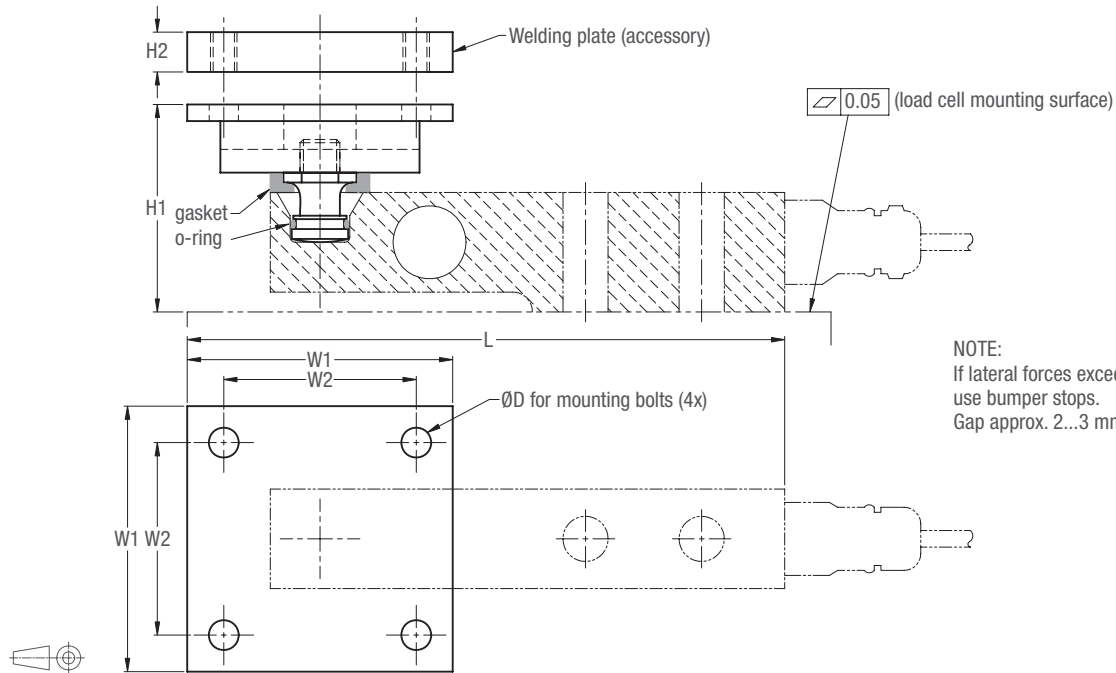


Platform or hopper scale with 4 load cells



Tank weighing system with 3 load cells

Dimensions (in mm)



Load Cell Type	Capacity	L	H1	H2	W1	W2	Mounting bolts D	S _{max} **	RF***
SB6	0.2...2 kN (20.4...204 kg)	150	65*	6	60	44	M6	6 mm	700 N
	500 lb (227 kg)	154	54						
SB14	1...5 klb (454...2268 kg)	164	60*	12	80	58	M8	5 mm	1.6 kN
	10 klb (4536 kg)	209	73						
SLB	200...500 lb (91...227 kg)	154	55*	6	60	44	M6	6 mm	700 N
	1...5 klb (454...2268 kg)	164	59*						
SB4 / SB5	5...20 kN (510...2039 kg)	180	63	12	80	58	M8	5 mm	1.6 kN
	50 kN (5099 kg)	219	78						
	100 kN (10197 kg)	265	104		100	76	M10		
		275	108						120

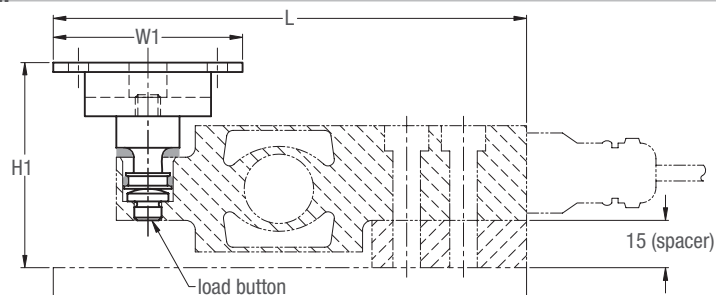
* Including spacer.

** S_{max} = maximum lateral displacement of load introduction.

*** RF = restoring force at S_{max}.

CAD files for customer's own applications drawings are available on request.

Details Type SB6 Load Cell



Details Type SLB Load Cell

