

7.5 t ... 40 t



Product Description

The type 56-02 dummy supports have same height and can be combined with corresponding capacity of weigh modules type 55-20, 55-01-10 and 55-01-07C/D rocker system.

The dummy supports are typically used in scale systems for level control in tanks. They replace two of the weigh modules in tanks on 3 or 4 legs and give a very cost effective scale solution.

The supports are dimensioned to take side forces in any horizontal direction up to 100% of maximum capacity.

Lift off forces are safe to 50% for the 7.5/15/22.5 t unit and to 100% for the 30/40 t unit.

If foundation plates and tank feet are prepared also with mounting holes for the weigh module, the scale can later easily be upgraded to a high accuracy load cell system by replacing the dummy supports with weigh modules.

Material: Mild steel, zinc plated.

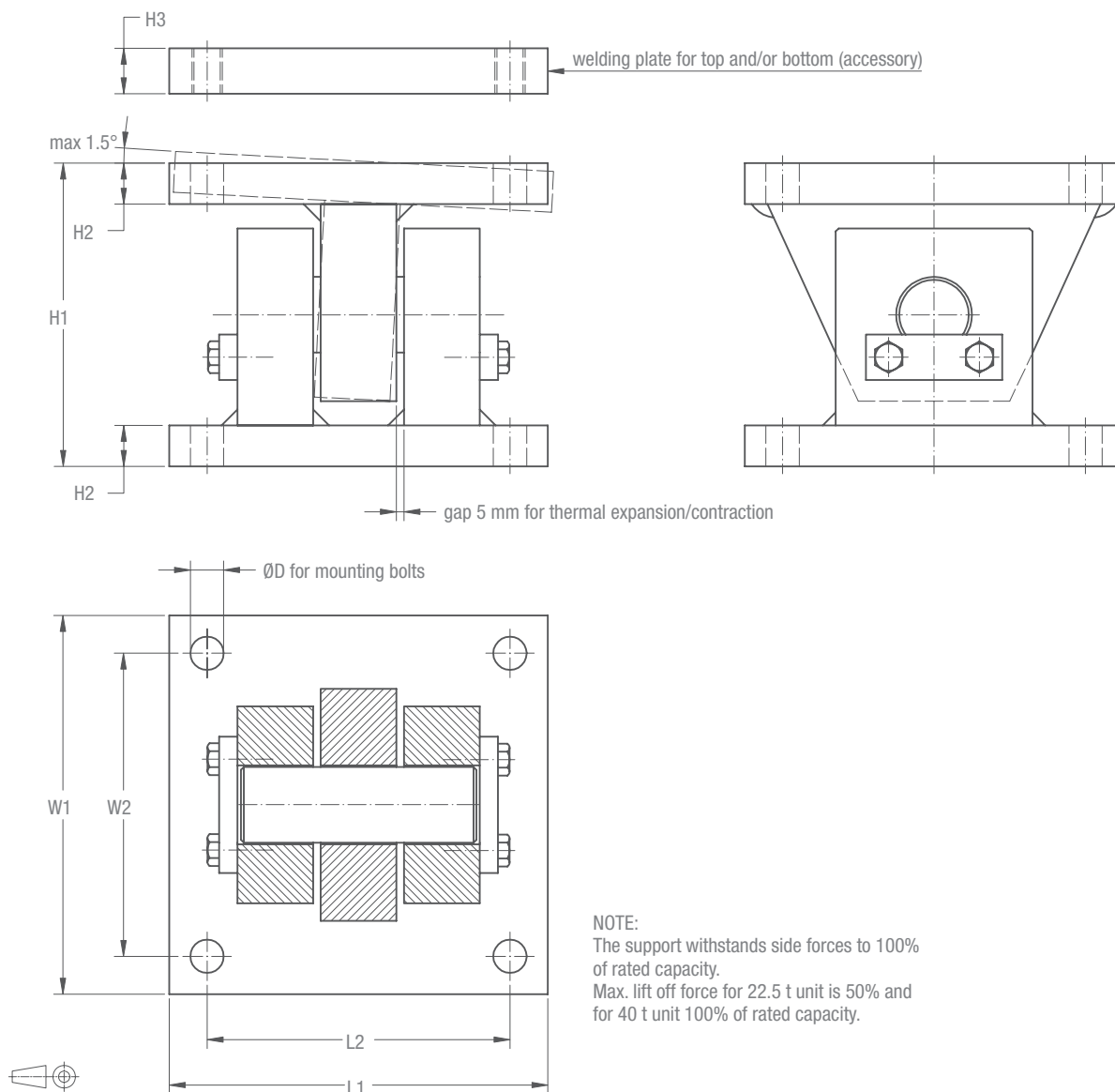
Key Features

- Capacities 7.5 t to 40 t
- Easy installation by bolting or welding
- Tolerates large angular errors for tank foot and foundation plate
- Allows thermal expansion/contraction
- Very rugged design

Available Accessory

- Welding plates top and/or bottom

Dimensions (in mm)



Capacity	Matches height of	H1	H2	H3	L1	L2	W1	W2	D	Mounting bolts
7.5/15/22.5 t	55-20 / 55-01-10 / 55-01-07D	130	17	25	180	140	180	140	18.5	M16 8.8
30/40 t	55-20 / 55-01-07C*	200	27	30	250	200	250	200	22	M20 8.8

* Requires special cup for 40 t.
CAD files for customer's own application drawings are available on request.

Orientation of dummy support

