

20 kg ... 10 t



Tension adapter 52-31 and SB4 load cell

Product Description

Flintec load cell supports are designed to prevent unwanted forces from affecting load cell performance.

The type 52-31 is a self aligning tension adapter assembly.

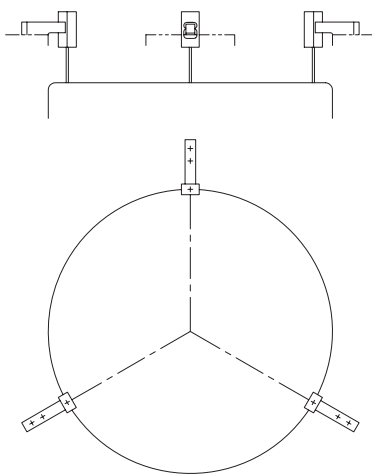
Especially designed for the SB4, SB5, SB6, SB14 and SLB load cells.

Standard version: steel, zinc plated.

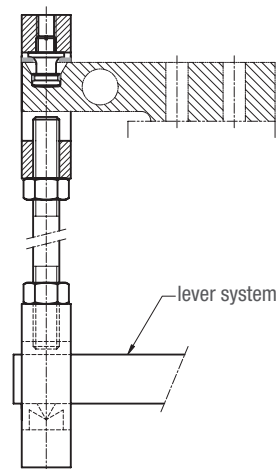
Key Features

- Blind hole load introduction
- Capacity range: 20 kg to 10 t
- Very easy to install
- Especially designed to support suspended loads and for hybrid scale conversions
- W&M certified

Examples

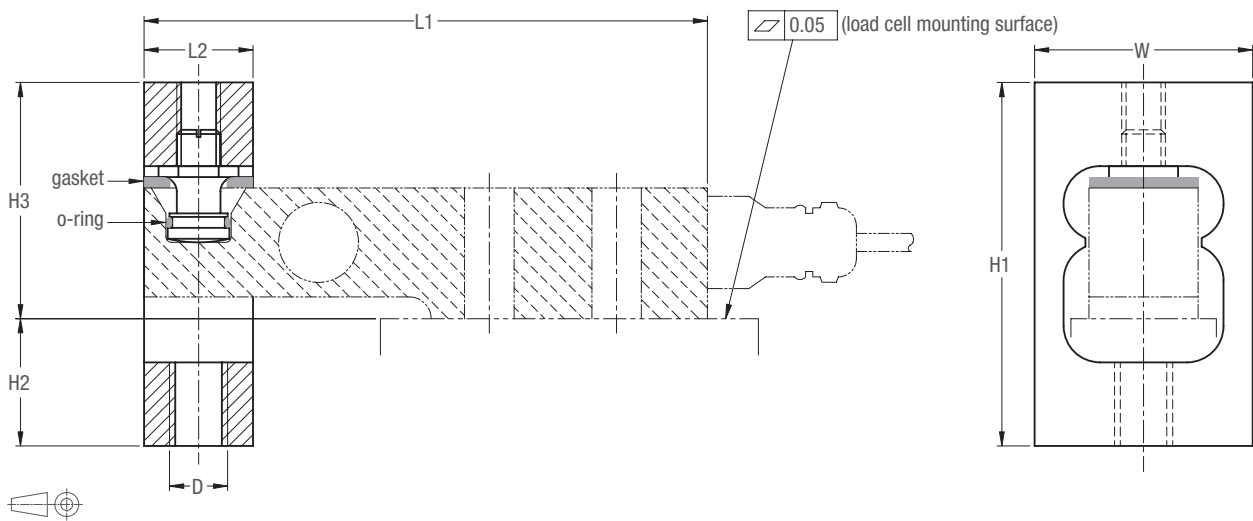


Tank weighing system with 3 load cells



Hybrid scale conversion

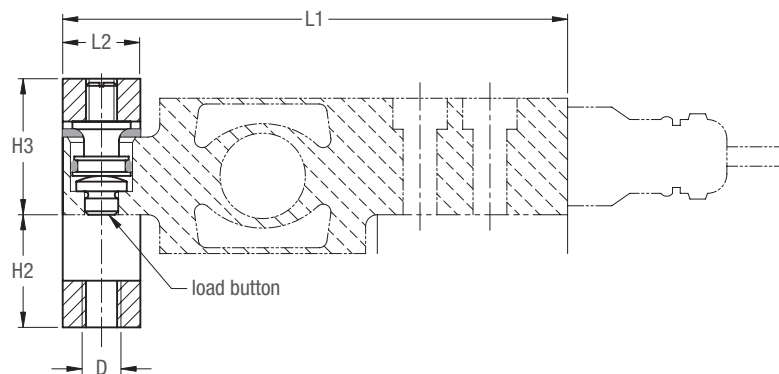
Dimensions (in mm)



Load Cell Type	Capacity	L1	L2	H1	H2	H3	W	Tension rod D
SB4/SB5	5...20 kN (510...2039 kg)	155	30	115	45	70	60	M16
	50 kN (5099 kg)	190	40	165	70	95	80	M24
	100 kN (10197 kg)	245	50	230	95	135	100	M30
SB6	0.2...2 kN (20.4...204 kg)	130	20	64	29	35	50	M10
SB14	0.5...5 klb (227...2268 kg)	139	30	115	50	65	60	M16
SLB	0.2...5 klb (91...2268 kg)	139	30	115	51	64	60	M16

CAD files for customer's own applications drawings are available on request.

Details Type SB6 Load Cell



Details of connection to a load carrier

