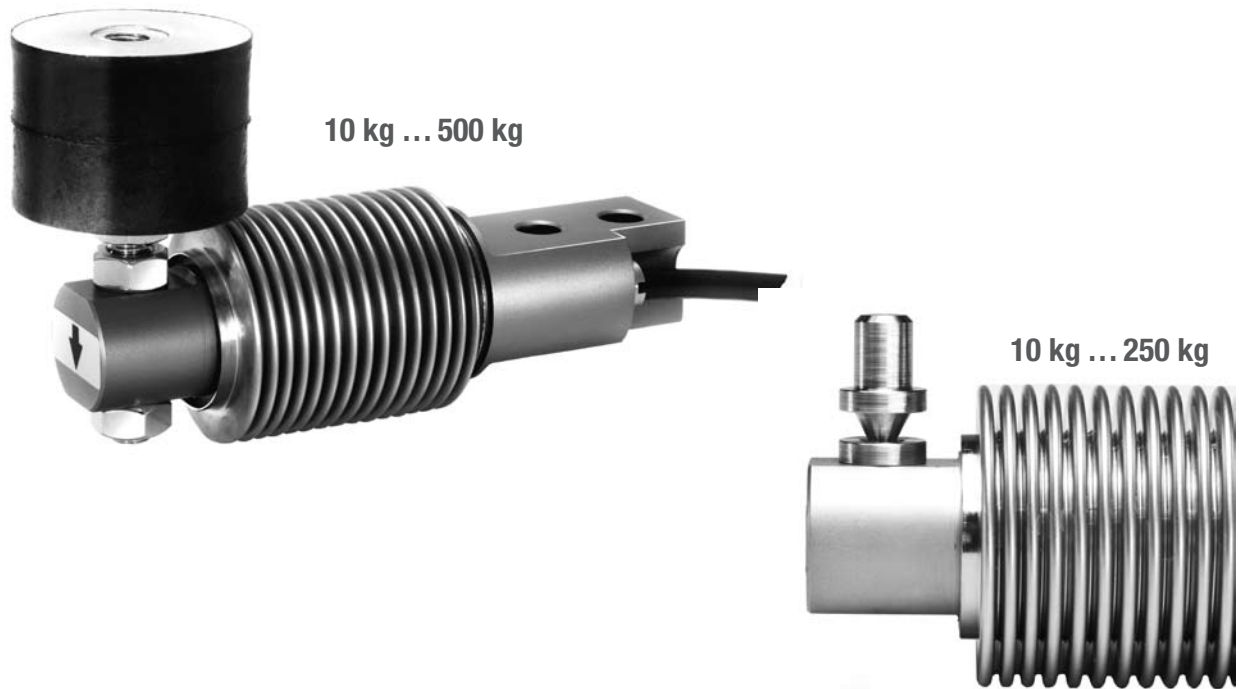


Load Mounts for Type SB8 Load Cell



Product Description

- Type C Load Mount; material: natural rubber with steel, zinc lated; for capacities from 10 kg to 500 kg
- Cone with cone pan; material: stainless steel; for capacities from 10 kg to 250 kg

Dimensions (in mm)

