

20 kg ... 2.5 t



Height adjustable rubber foot 52-10 and SB4 load cell

Product Description

Flintec load cell supports are designed to prevent unwanted forces from affecting load cell performance.

The type 52-10 is an height adjustable, self aligning rubber foot; combining excellent load introduction with low profile design. Height adjustable by rotation of the foot.

Especially designed for the SB4, SB5, SB6, SB14 and SLB load cells.

Material: steel, zinc plated; alternatively stainless steel.

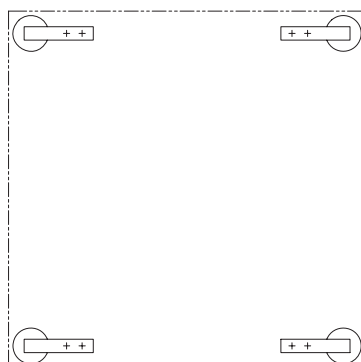
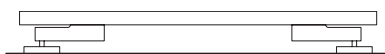
Key Features

- Blind hole load introduction
- Capacity range: 20 kg to 2500 kg
- Low profile
- Height adjustable by rotation
- Very easy to install
- Especially designed for platform scales
- W&M certified

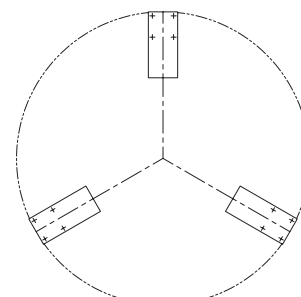
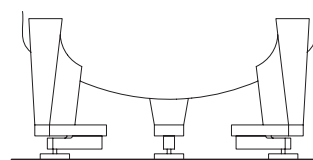
Available Accessory

- Fixation plate

Examples

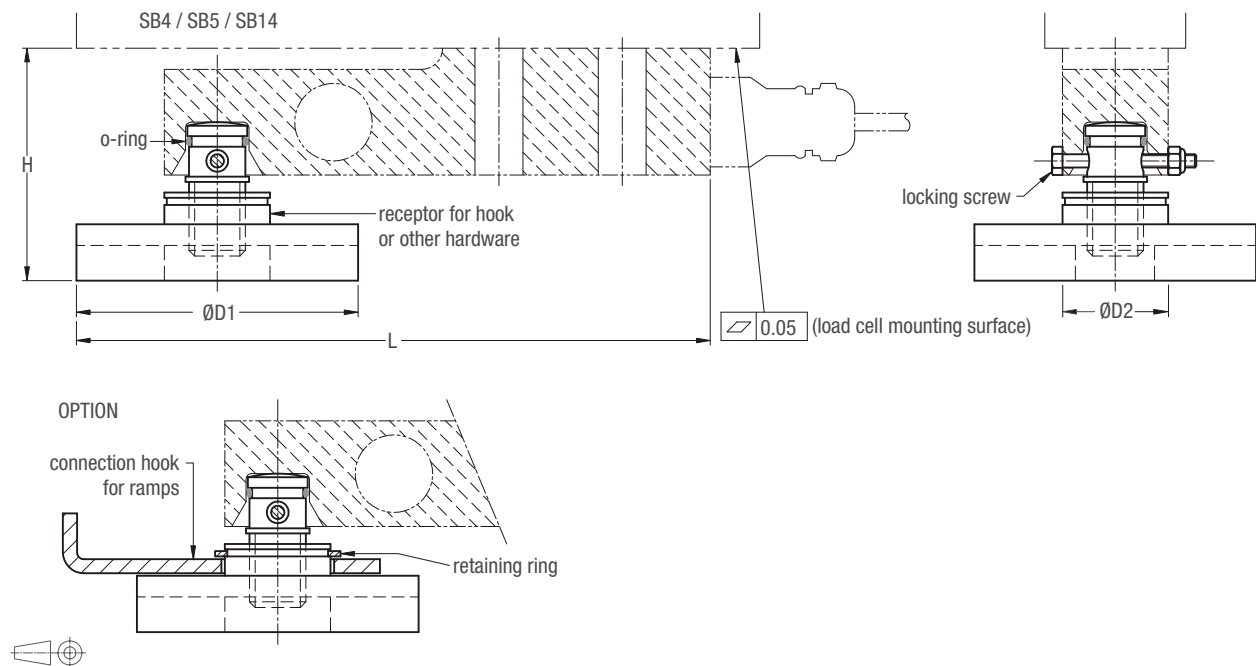


Platform scale with 4 load cells



Tank weighing system with 3 load cells
(recommended base plate 52-00 included)

Dimensions (in mm)

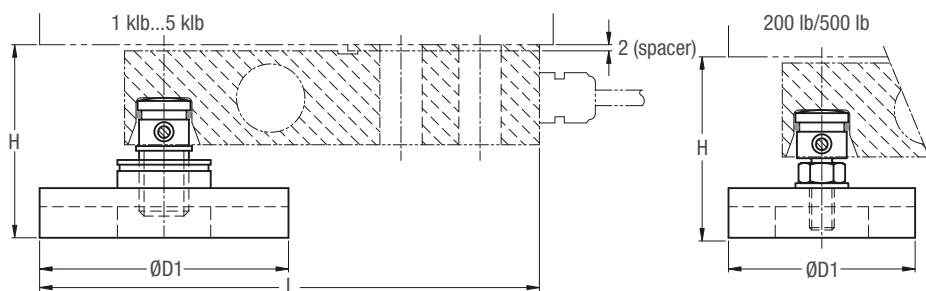


| Load Cell Type | Capacity | D1 | D2 | L | H |
|----------------|-----------------------------|----|----|-----|--------------------|
| SB6 | 200...500 N (20,4...204 kg) | 60 | - | 150 | 65...71* |
| SLB | 200...500 lb (91...227 kg) | | | 154 | 57...63* |
| | 1...5 klb (454...2268 kg) | 80 | 30 | 164 | 59...67* |
| SB14 | 0,5...5 klb (227...2268 kg) | | | 180 | 58...66 / 60...68* |
| SB4 / SB5 | 5...20 kN (510...2039 kg) | | | | 63...71 |

* Including spacer.

CAD files for customer's own applications drawings are available on request.

Details Type SLB Load Cell



Details Type SB6 Load cell

