

Type 52-00 Base Plate

Product Description

Flintec load cell supports are designed to prevent unwanted forces from affecting load cell performance.

The type 52-00 is a base plate assembly, used to support the SB4, SB5, SB6, SB14 and SLB load cells. The assembly includes base plate and load cell mounting bolts.

For SLB and SB14 load cells the base plate is supplied with a lateral load cell locking system for reacting side loads. Optionally available for SB4 and SB5 load cells.

It can also be provided with an overload stop, to protect the load cell.

Material: steel, zinc plated; alternatively stainless steel.

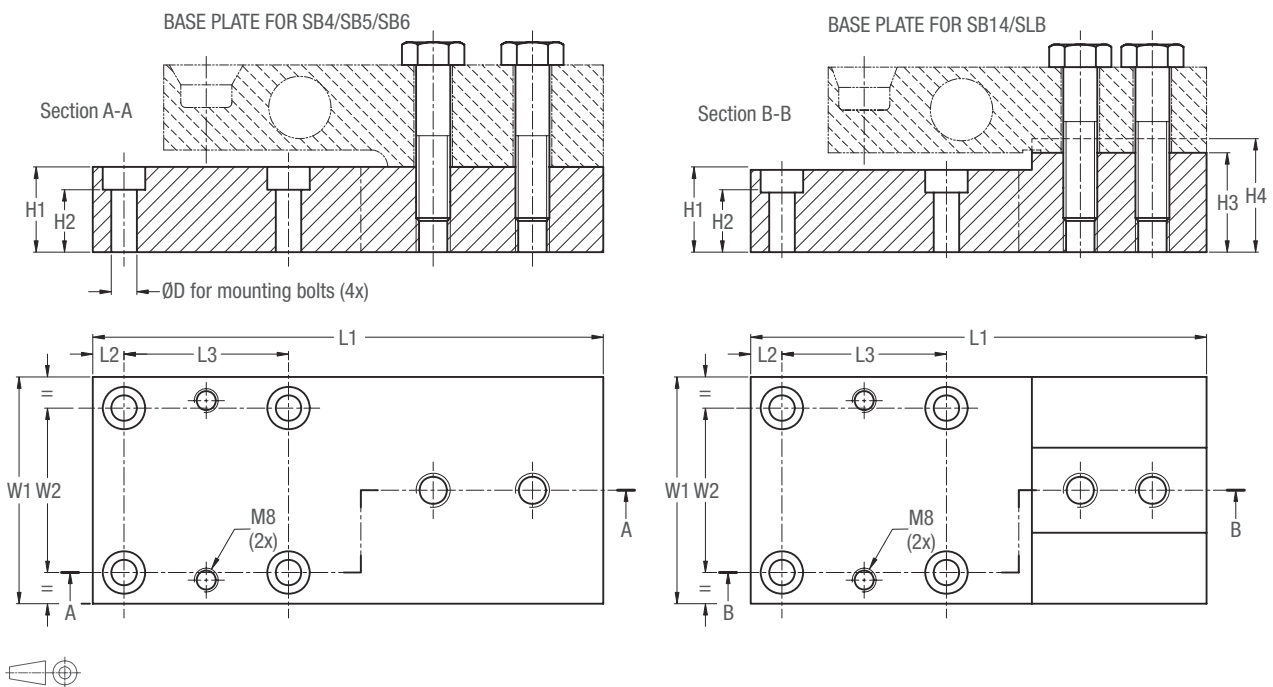
Key Features

- Capacity range: 20 kg to 10 000 kg
- Very easy to install

Options

- Lateral load cell locking system for SB4 and SB5.
- Overload protection system

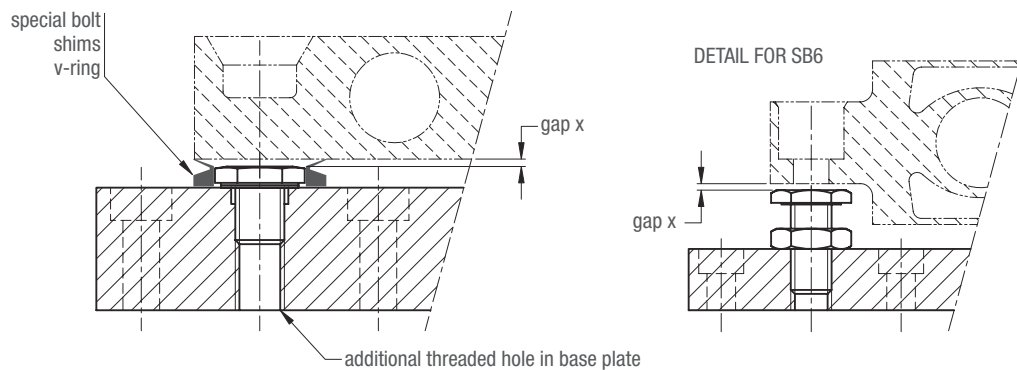
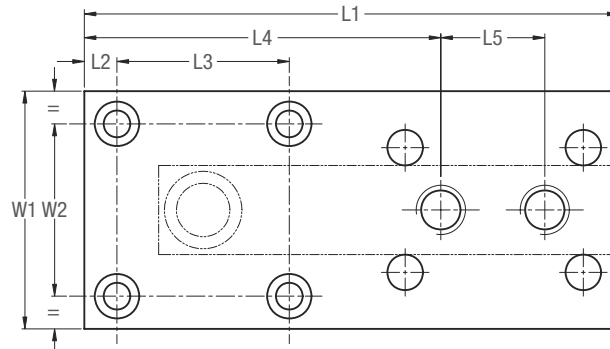
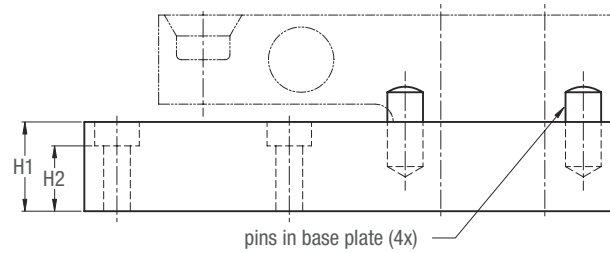
Dimensions (in mm)



Load Cell Type	Capacity in kg	L1	L2	L3	H1	H2	H3	H4	W1	W2	D	Mounting bolts
SB6-200 N/500N/1 kN/2 kN*	20.4/51/102/204	150	8	44	15	8	n.a.	n.a.	60	44	7	M6
SB4/SB5-5 kN/10 kN/20 kN	510/1020/2039	180	11	58	30	21	n.a.	n.a.	80	58	9	M8
SB4/SB5-50 kN	5099	220	12	76	40	29	n.a.	n.a.	100	76	11	M10
SB4/SB5-100 kN	10197	275	15	90	60	47	n.a.	n.a.	120	90	14.5	M12
SB14-500 lb/1 klb/2.5 klb/5 klb	227/454/1134/2268	164	11	58	29	20	35	40	80	58	9	M8
SLB-200 lb/500 lb/1 klb/2.5 klb/5 klb	91/227/454/1134/2268											
SB14-10 klb	4536	210	12	76	38	32	46	50	100	76	18	M16

* To be mounted including spacer (height 15 mm).

Options



Overload protection system (option)
(Gap x setting by means of special shims)

Load cell deflection

Load cell SB6	Deflection *	Gap "x" setting**	Load cell SB4/SB5	Deflection *	Gap "x" setting**	Load cell SLB	Deflection *	Gap "x" setting**	Load cell SB14	Deflection *	Gap "x" setting**
200 N	0.21 mm	0.25 mm	5 kN	0.21 mm	0.25 mm	200 lb	0.27 mm	0.35 mm	500 lb	0.21 mm	0.30 mm
500 N	0.30 mm	0.40 mm	10 kN	0.29 mm	0.35 mm	500 lb	0.24 mm	0.30 mm	1 klb	0.24 mm	0.30 mm
1 kN	0.26 mm	0.35 mm	20 kN	0.49 mm	0.60 mm	1 klb	0.25 mm	0.30 mm	2.5 klb	0.32 mm	0.40 mm
2 kN	0.36 mm	0.45 mm	50 kN	0.52 mm	0.65 mm	2.5 klb	0.33 mm	0.40 mm	5 klb	0.47 mm	0.60 mm
			100 kN	0.74 mm	0.95 mm	5 klb	0.56 mm	0.70 mm	10 klb	0.30 mm	0.40 mm

Remarks:

* Deflection is defined as the sum of load cell deflection and base plate bending.

** Settings for utilisation to Maximum Capacity of the load cell. If utilisation of load cell is lower, the setting value could be reduced in proportion to the load.