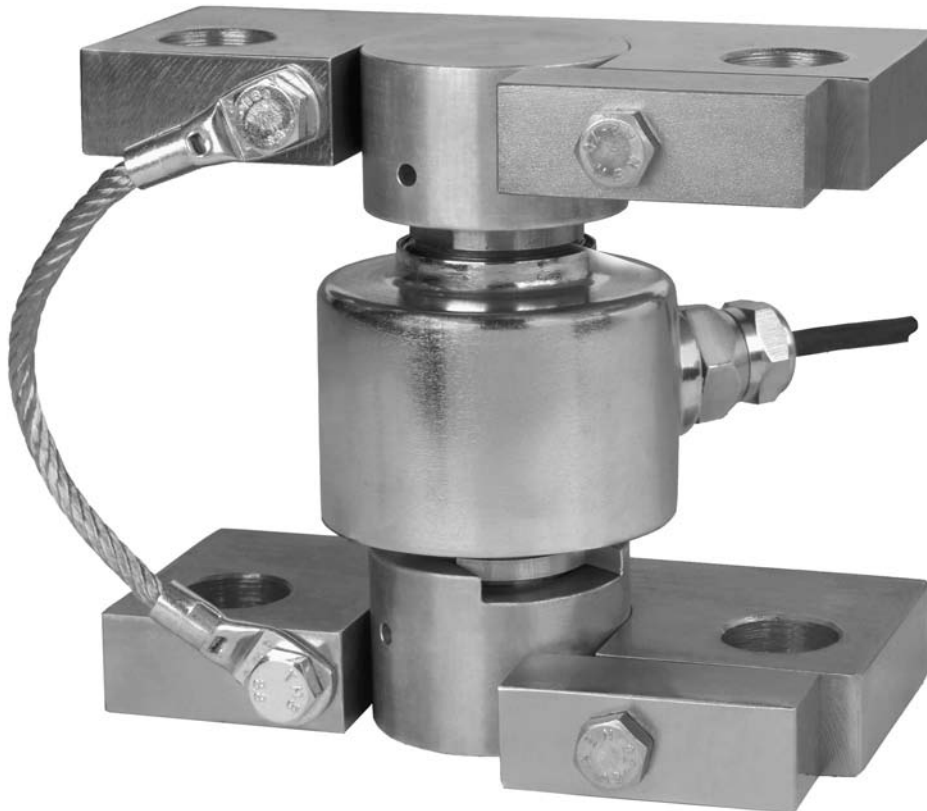


7.5 t ... 22.5 t



Rocker System 55-01-07D with RC3 Load Cell

Product Description

Flintec load cell supports are designed to prevent unwanted forces from affecting load cell performance.

The type 55-01-07D is a self-aligning rocker system, combining excellent load introduction with low profile design.

Especially designed for the RC3 load cells.

Material: steel, zinc plated.

An alignment fixture is available for accurate vertical alignment of the load cell.

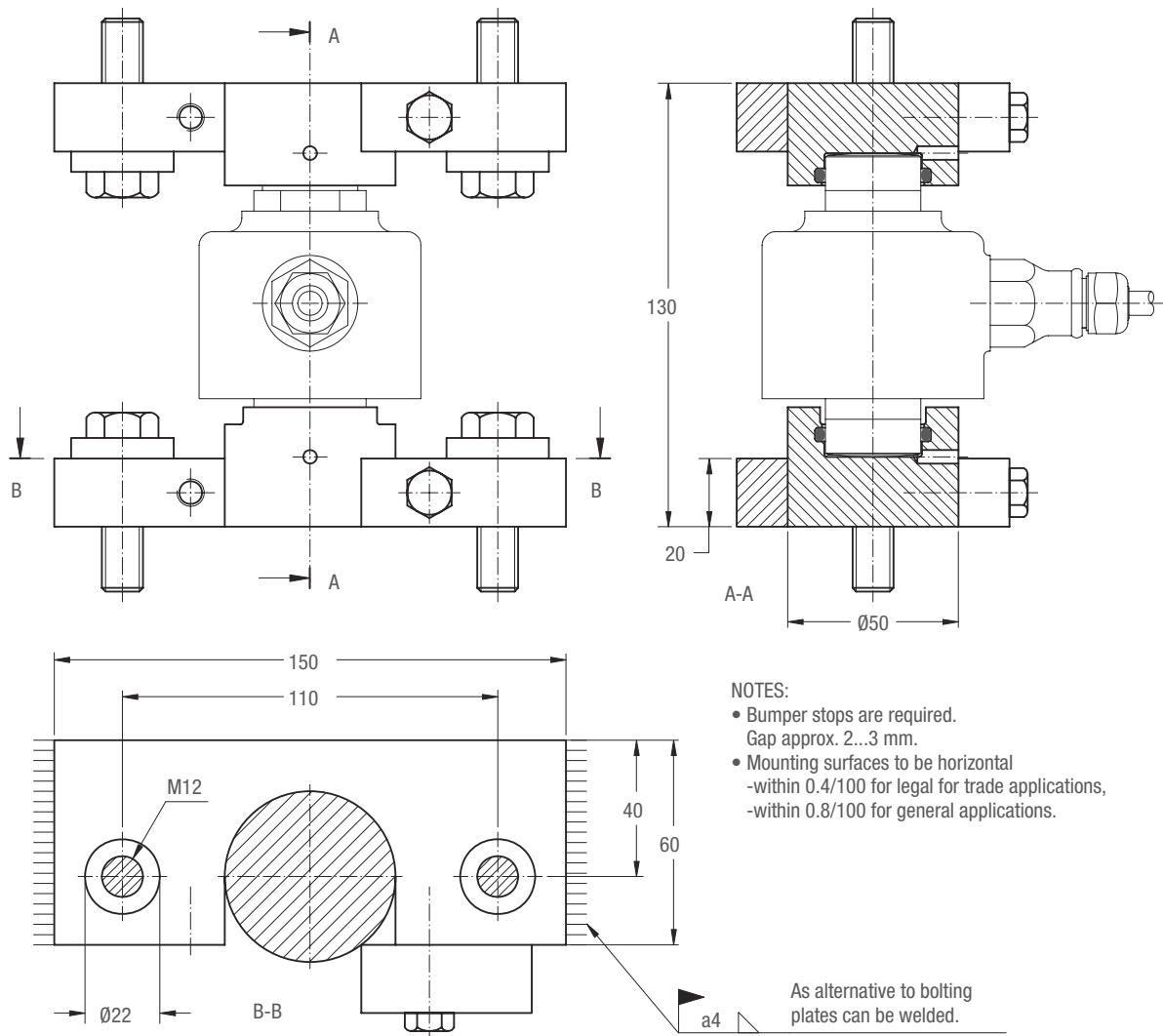
Key Features

- Capacity 7.5 t, 15 t and 22.5 t
- Very low profile
- Low cost
- Very easy to install
- Especially designed for medium and high capacity platform scales
- W&M certified

Available Accessories

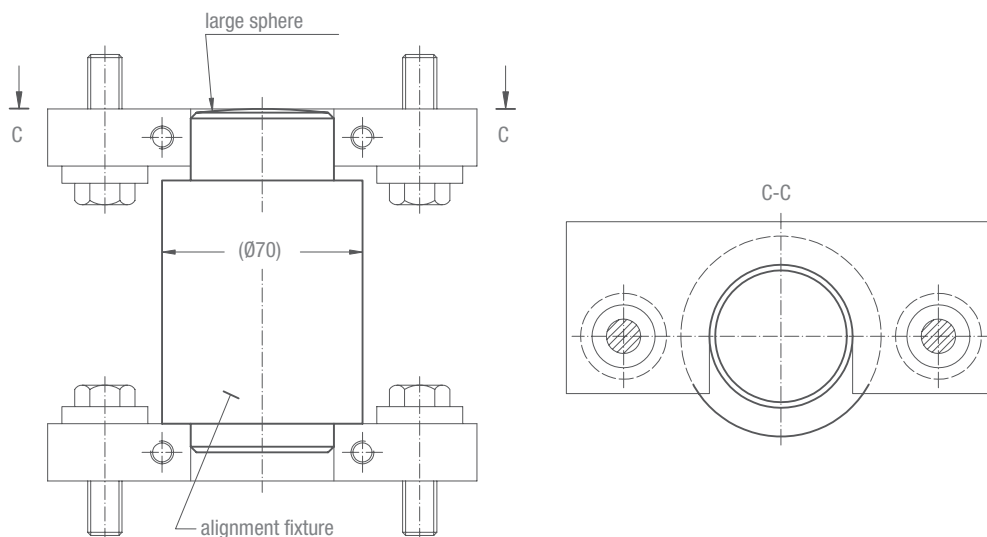
- Alignment fixture
- Welding plate

Dimensions (in mm)



Assembly drawings with installation instructions and CAD files for customer's own applications drawings are available on request.

Accessory



The alignment fixture is used for easy and accurate positioning.