

Fixation Plates for Rubber Feet

Product Description

Fixation plates for Rubber Feet Type 52-02, Type 52-10 and Type 52-15.

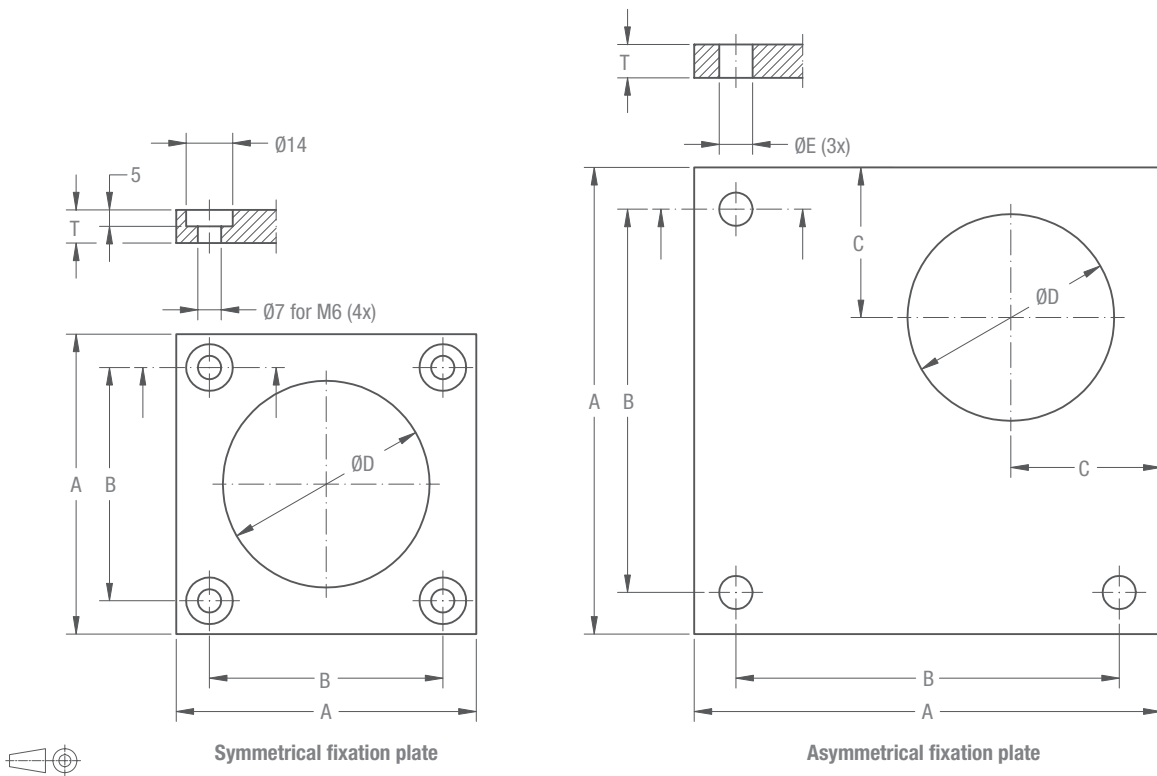
The fixation plates prevents the scale or load carrier from sliding away from its installed position.

2 Types are available:

- Symmetrical Fixation Plate
- Asymmetrical Fixation Plate; can be installed without lifting the scale or load carrier

Material: black polypropylene

Dimensions (in mm)



Type	A	B	C	D	E	T
Symmetrical for foot with diameter 60	90	70	n.a.	66	n.a.	10
Symmetrical for foot with diameter 80	110	90	n.a.	86	n.a.	10
Asymmetrical for foot with diameter 60	140	115	45	66	10 for M8	10
Asymmetrical for foot with diameter 80	160	135	55	86	10 for M8	10
Asymmetrical for foot with diameter 100	160	155	65	108	12 for M10	15