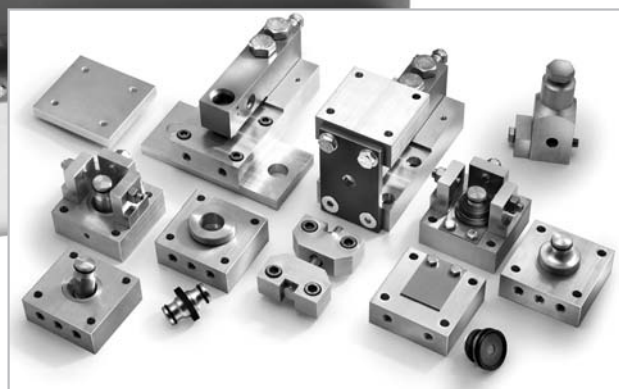
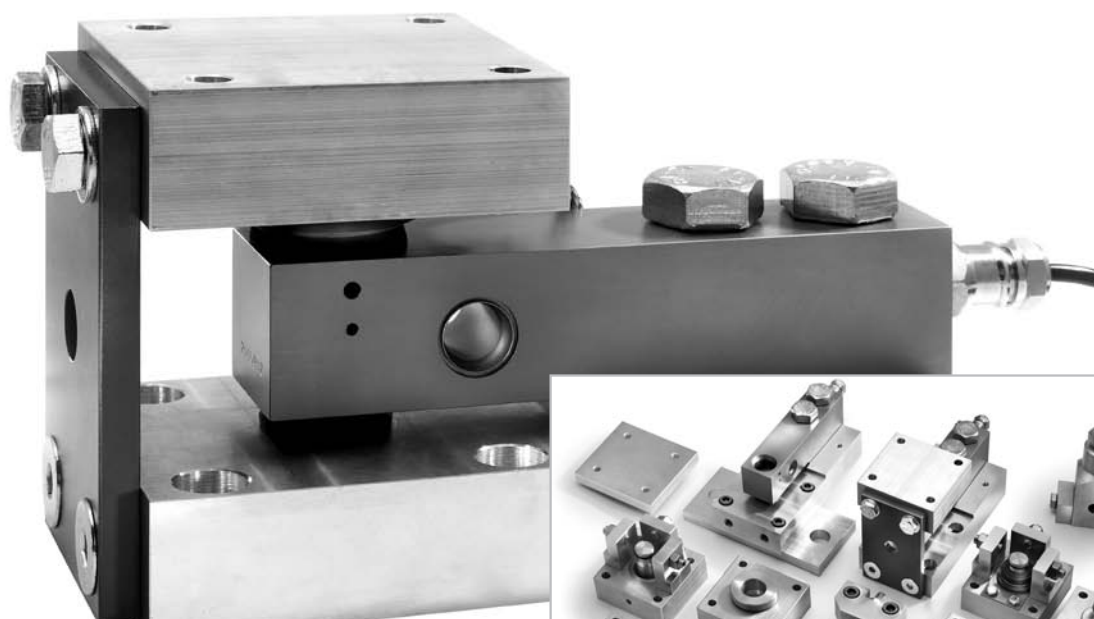


Type 52-18 Weigh Module

100 kg ... 10 t



Product Description

The type 52-18 Weigh Modules are available in 2 basic versions:

52-18RS employing the Rocking System, and

52-18SS which employs the Sliding System.

Both versions have identical outer dimensions and mounting principles, but have somewhat different features. Some features are overlapping and which weigh module is the optimal choice depends on the application.

The new 52-18RS-C is very cost effective and the first choice for static tank and hopper applications. All modules used in a scale are identical and can be freely oriented in any direction. However, it is not suitable for tanks with agitators, which might cause the scale to oscillate, as it is standing on rockers.

The 52-18RS, with it's Rocking Pin Load Introduction, is the natural choice when very high resolution is required, whereas the 52-18SS, with Sliding Pin Load Introduction, is the choice when very large expansions/contractions due to temperature or other reasons are expected. (See Selection Guide)

Delivered preassembled and centred with Aligning Plate for easy installation.

Especially designed for SB4, SB5, SB14 and SLB load cells.

Material: steel, zinc plated; alternatively stainless steel.

Key Features

- Universal system
- Capacity range 100 kg to 10 000 kg
- Blind hole load introduction
- Low profile
- Easy to install
- No check links needed
- W&M certified for 3 000 intervals

Options

- Overload protection
- Lift off protection
- Welding Plate
- Bolting Plate

Available Accessories

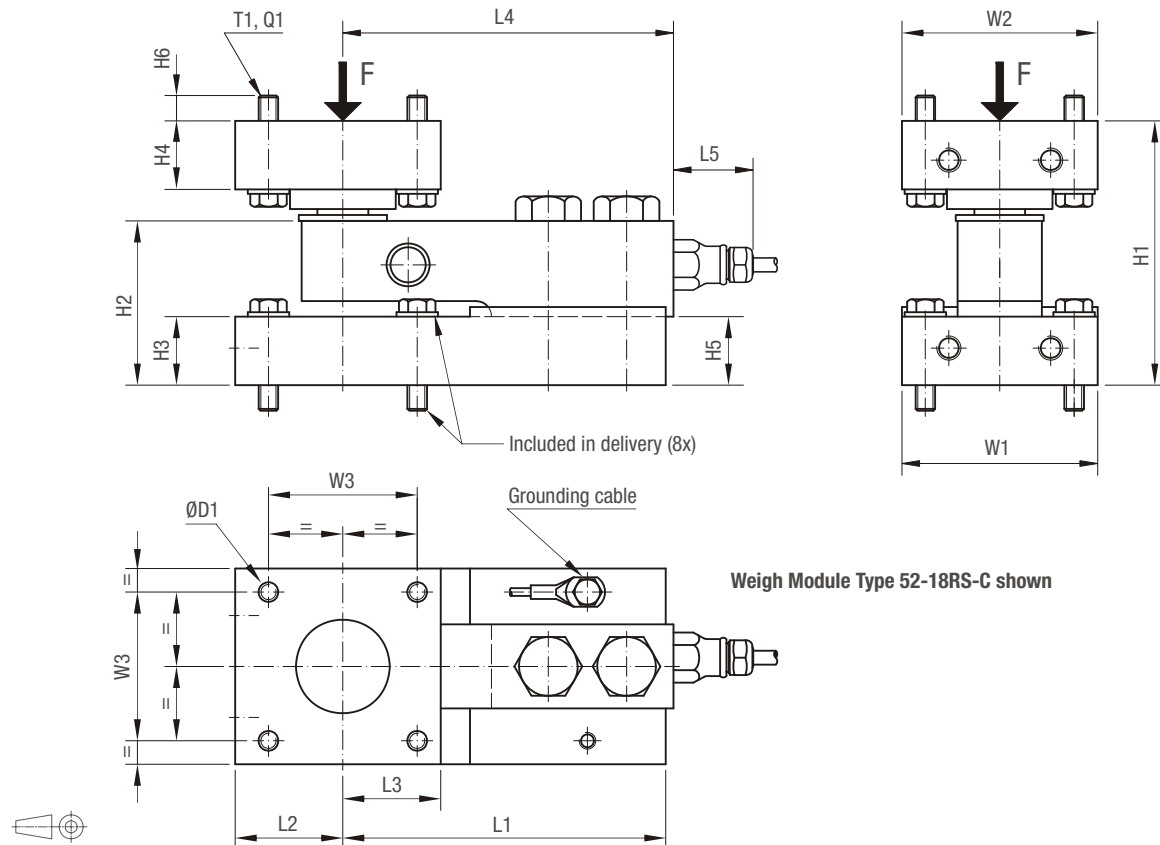
- Welding Fixture
- Jacking Device

Selection Guide

	52-18RS (Rocking)	52-18SS (Sliding)
Static load applications	x	x
Scales with agitator	1)	x
Scales with large temperature expansion		x
High resolution applications	x	

1) Possible with close adjusted bumpers and special orientation

Dimensions (in mm)



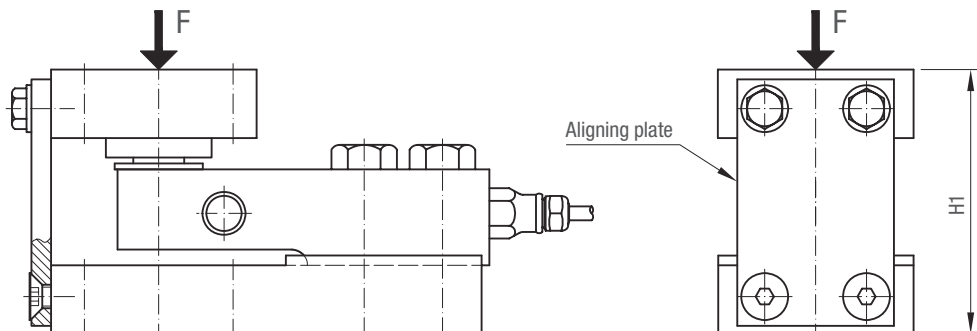
Load cell type	H1	H2	H3	H4	H5	H6	L1	L2	L3	L4	L5	W1	W2	W3	D1	T1	Q1
SB4/SB5-5...20 kN	100	63	25	25	27	13.5	130	45	40	140	41	80	80	58	9	M8	25 Nm
SB14-0.5...5 klb	101	64			33		120			121							
SLB-0.2...5 klb	100	63			40		155			124							
SB4/SB5-50 kN	135	84	35	35	35	13	165	55	50	169	41	100	100	76	11	M10	50 Nm
SB14-10 klb					40		155			159							
SB4/SB5-100 kN	195	128	50	50	50	17.5	205	80	60	215		120	150	90	13.5	M12	115 Nm

Assembly drawings with installation instructions and CAD files for customer's own application drawings are available on request.

WEIGH MODULE TYPES			MAX FORCE F	MAX SIDE FORCE
Rocking System	52-18RS-A	With rocking pin and bumpers	200% of E_{max}	100% of E_{max}
	52-18RS-B	With free rocking pin	200% of E_{max}	-
	52-18RS-C	With bumping rocking pin	200% of E_{max}	50% of E_{max}
Sliding System	52-18SS-A	With sliding pin and bumpers	200% of E_{max}	100% of E_{max}
	52-18SS-B	With free sliding pin	200% of E_{max}	-
	52-18SS-C	With fixed pin	200% of E_{max}	100% of E_{max}

E_{max} = maximum load cell capacity

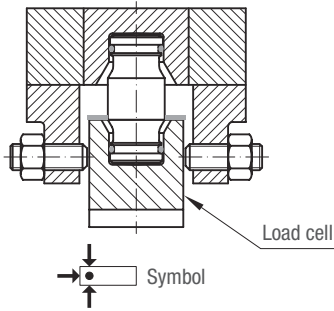
Weigh Module assembled



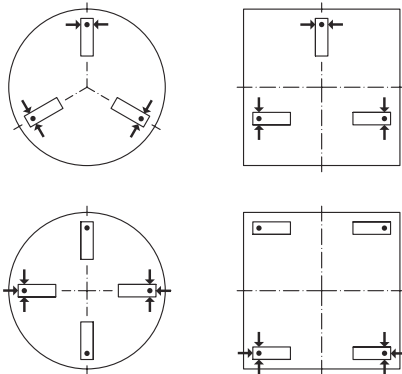
Weigh module assembled and aligned for installation

Type 52-18RS Rocking System

Top section of 52-18RS-A
(rocking pin and bumpers)

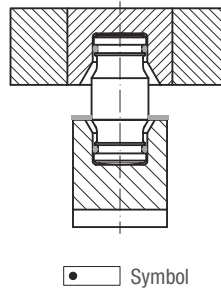


One, two or three bumpers
(see orientation examples)

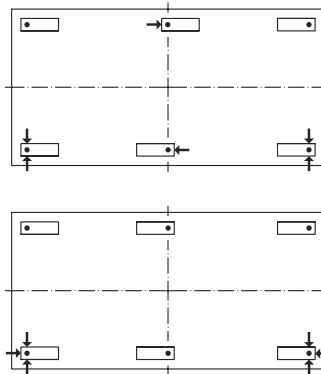


A few typical orientation examples

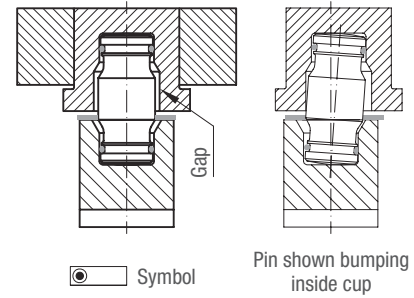
Top section of 52-18RS-B
(free rocking pin)



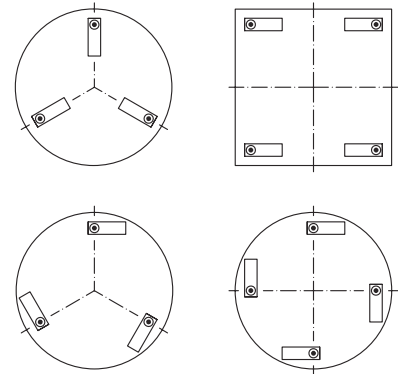
No bumpers
(orientation in any direction)



Top section of 52-18RS-C
(bumping rocking pin)



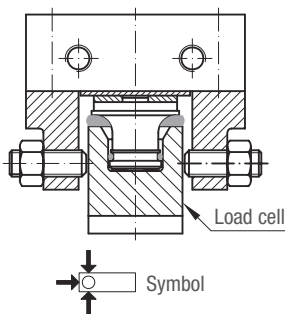
Pin bumping 360°
(orientation in any direction)



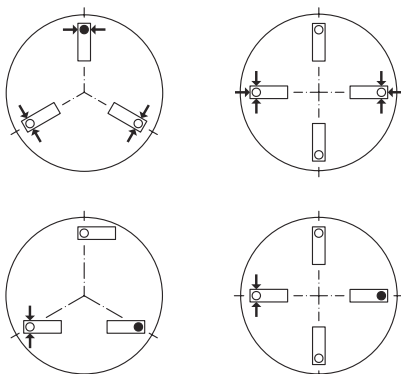
A few typical orientation examples

Type 52-18SS Sliding System

Top section of 52-18SS-A
(sliding pin and bumpers)

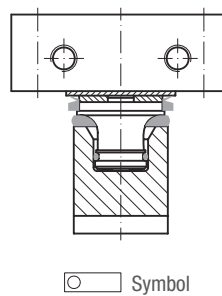


One, two or three bumpers
(see orientation examples)

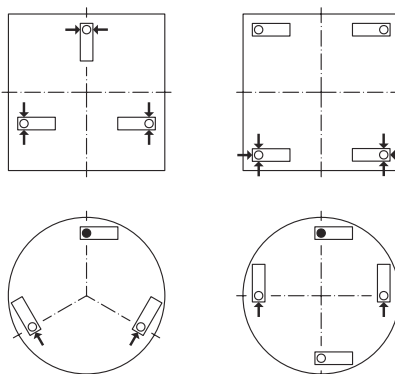


A few typical orientation examples

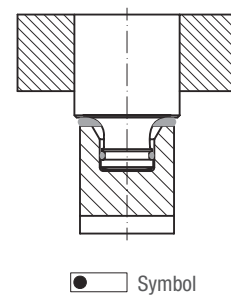
Top section of 52-18SS-B
(free sliding pin)



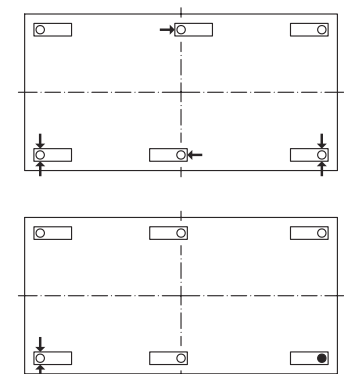
No bumpers
(orientation in any direction)



Top section of 52-18SS-C
(fixed pin)

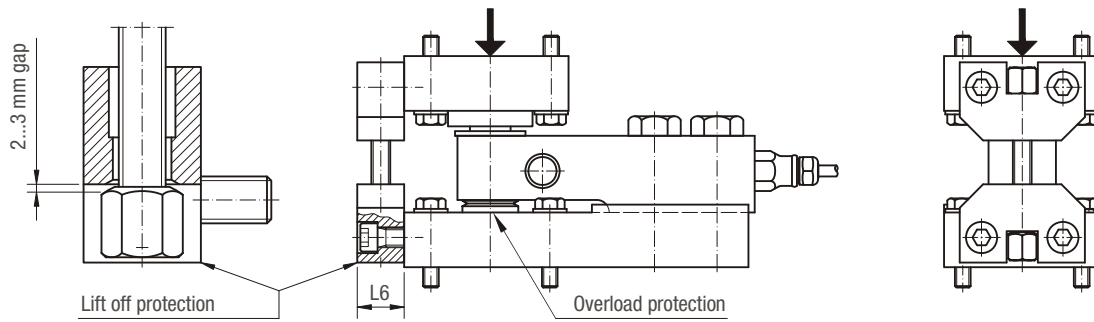


Pin bumping 360°
(orientation in any direction)

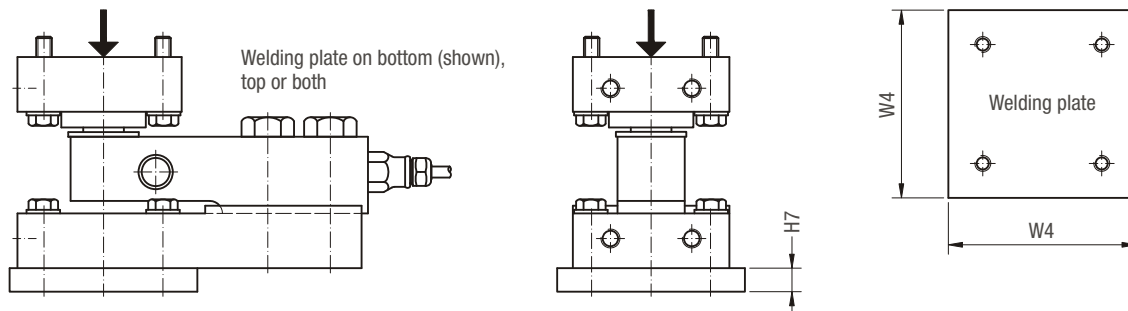


Optional Details

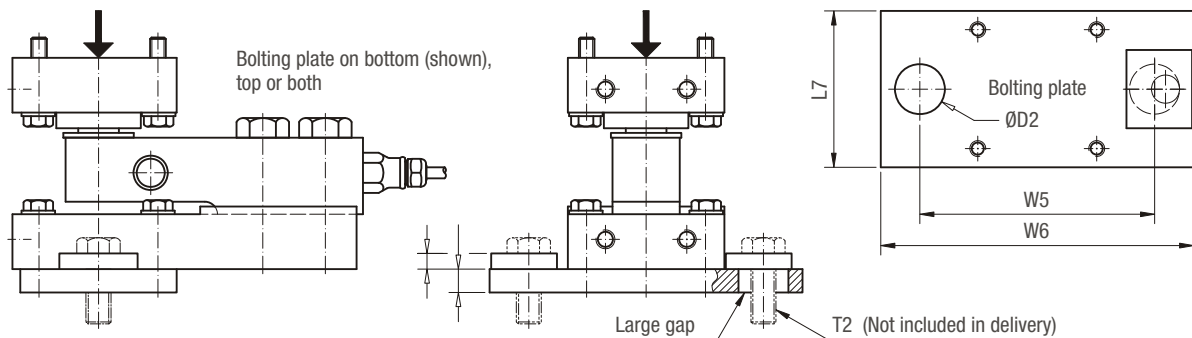
Lift off and overload protection



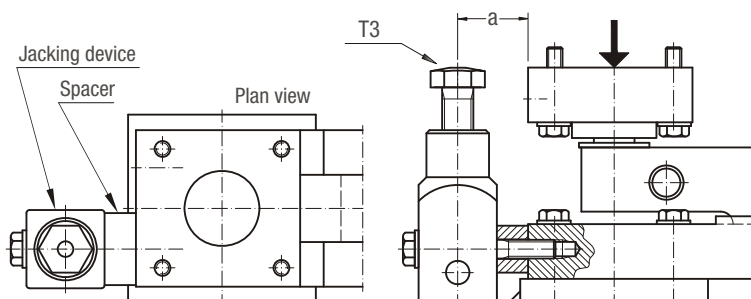
Welding plate



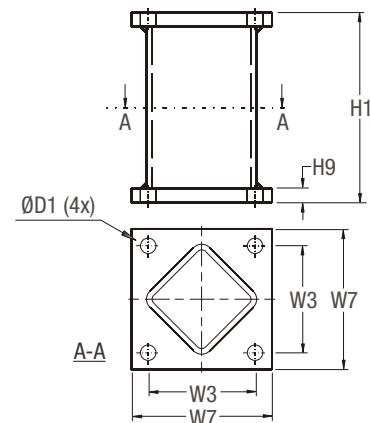
Bolting plate



Jacking device



Welding fixture



Load cell type	H1	H7	H8	H9	L6	L7	W3	W4	W5	W6	W7	D1	D2	T2	T3	a	Max. lift off force
SB4/SB5-5...20 kN	100	20	8	8	20	80	58	100	120	160	80	9	26	M12	M16	30	16 kN
SB14-0.5...5 kN																	
SLB-0.2...5 kN																	
SB4/SB5-50 kN	135	20	10	10	30	100	76	120	150	200	100	11	32	M16	M20	40	40 kN
SB14-10 kN																	
SB4/SB5-100 kN	195	25	15	10	40	120	90	150	210	270	120	13,5	40	M20	M30	40	80 kN