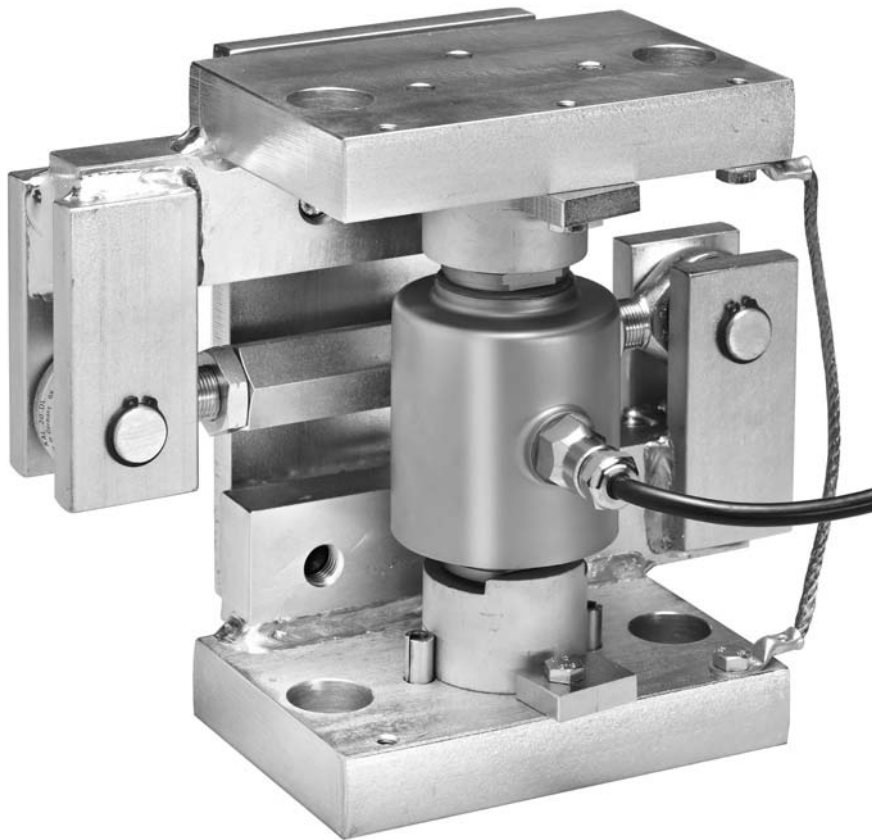
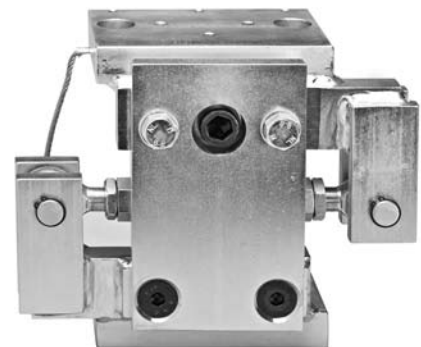


30 t ... 40 t



Weigh Module 55-30 with RC3 Load Cell



Pre-assembled module

Product Description

Flintec load cell supports are designed to prevent unwanted forces from affecting load cell performance.

The type 55-30 is a self aligning weigh module, with excellent load introduction.

The module is especially designed for using Flintec rocker column load cells in hopper and tank weighing applications and incorporates an integrated check link to eliminate oscillations caused by slow moving agitators etc.

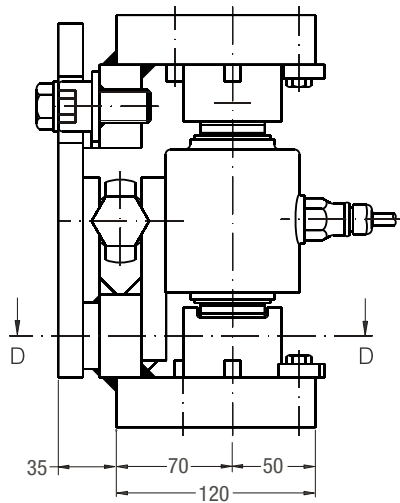
The Weigh Module will be shipped completely pre-assembled including a transportation lock; ready for installation by welding or bolting.

Material: steel, zinc plated

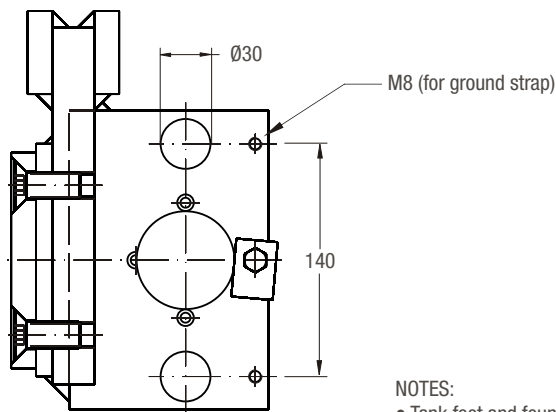
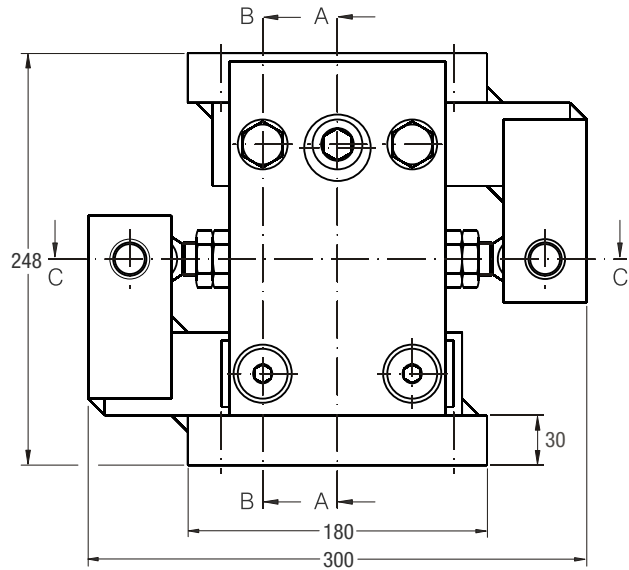
Key Features

- Capacities 30 t and 40 t
- Very easy to install
- Very rugged
- Especially designed for hopper and tank weighing with slow moving agitators
- With integrated lift off protection
- Load cell replacement requires minimum lifting height

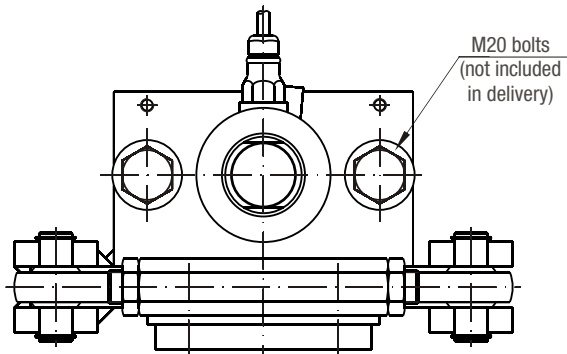
Dimensions (in mm)



A-A



D-D



C-C

NOTES:

- Tank foot and foundation plate to be horizontal:
-within 0.4/100 for legal for trade applications,
-within 0.8/100 for general applications.
- Maximum force on check link: 50 kN.
- Maximum force on lift off protection: 100 kN.
- Total weight: 25 kg.

REMARK:

Welding instead of bolting is a very practical alternative eliminating problems of getting holes on top and bottom lined up.

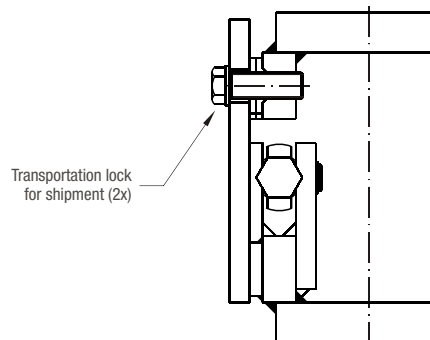


Assembly drawings with installation instructions and CAD files for customer's own applications drawings are available on request.

Note:

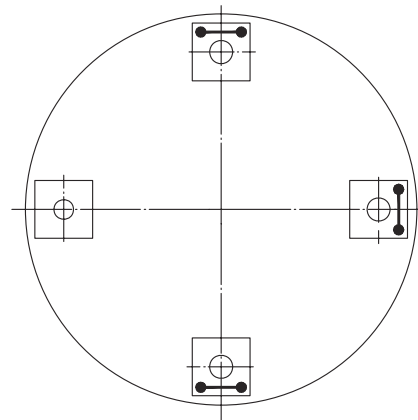
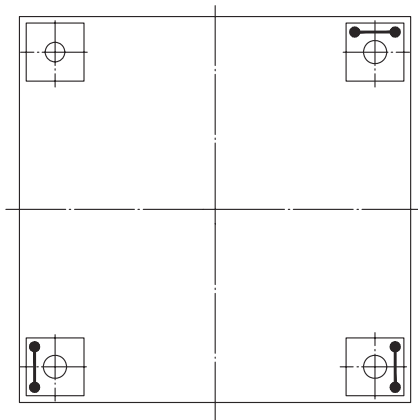
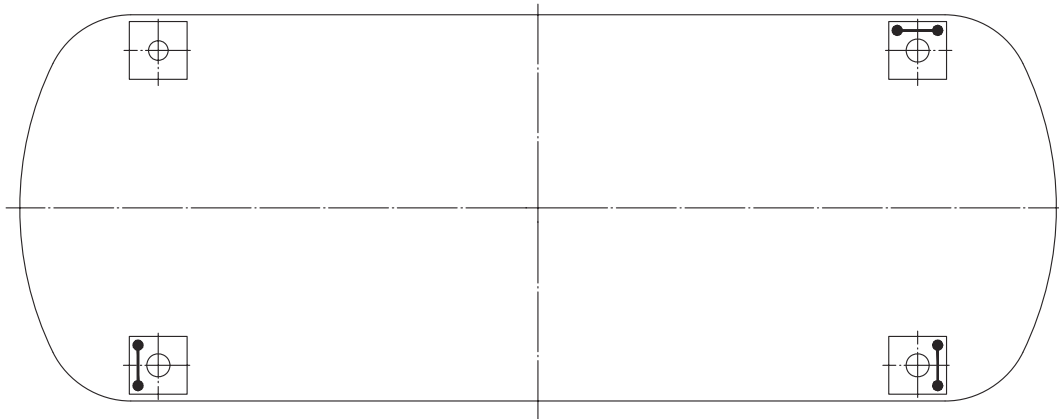
3 Loading points are equipped with check links; all others without check link.
See page: Check link orientation.

Module assembled for shipment and installation

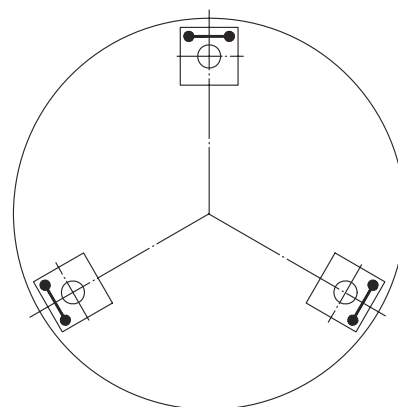
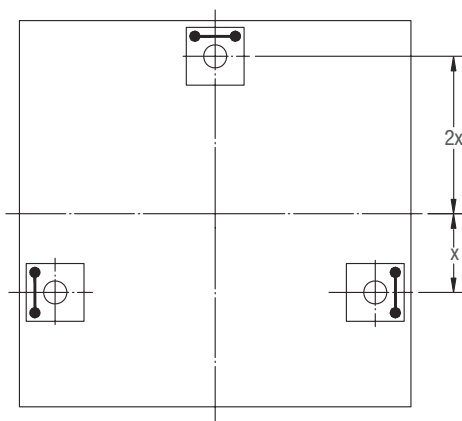


Check link orientation

4 LOAD CELLS



3 LOAD CELLS



drawing symbols



unit with check link



unit without check link