

Type 52-01 Weigh Module

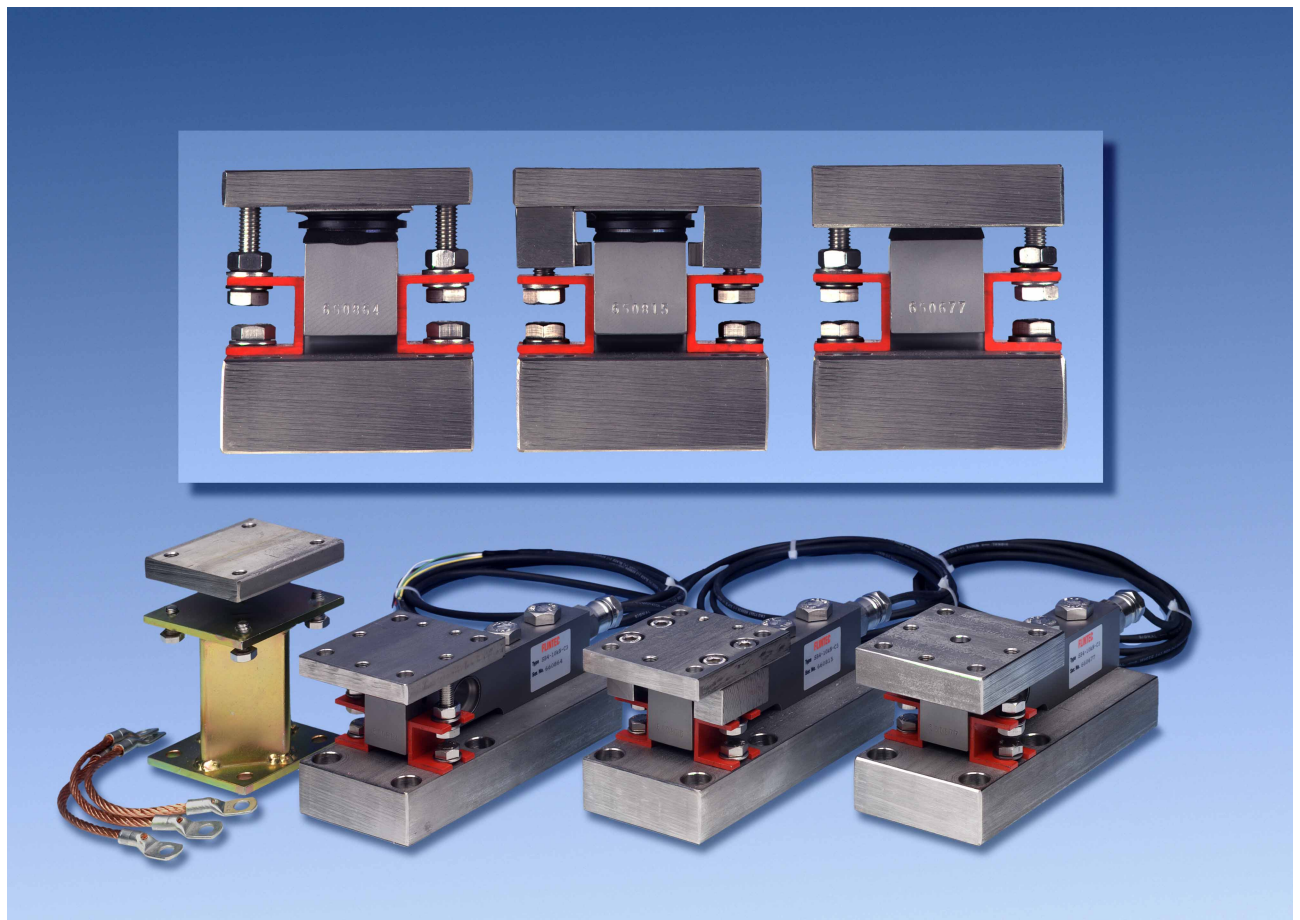
Flintec load cell supports are designed to avoid unwanted forces from affecting load cell performance. The Type 52-01 is a pre-assembled weigh module with sliding system (taking care of expansions). Excellent load introduction.

The system is especially designed for using Flintec beam type load cells in hopper and tank weighing applications.

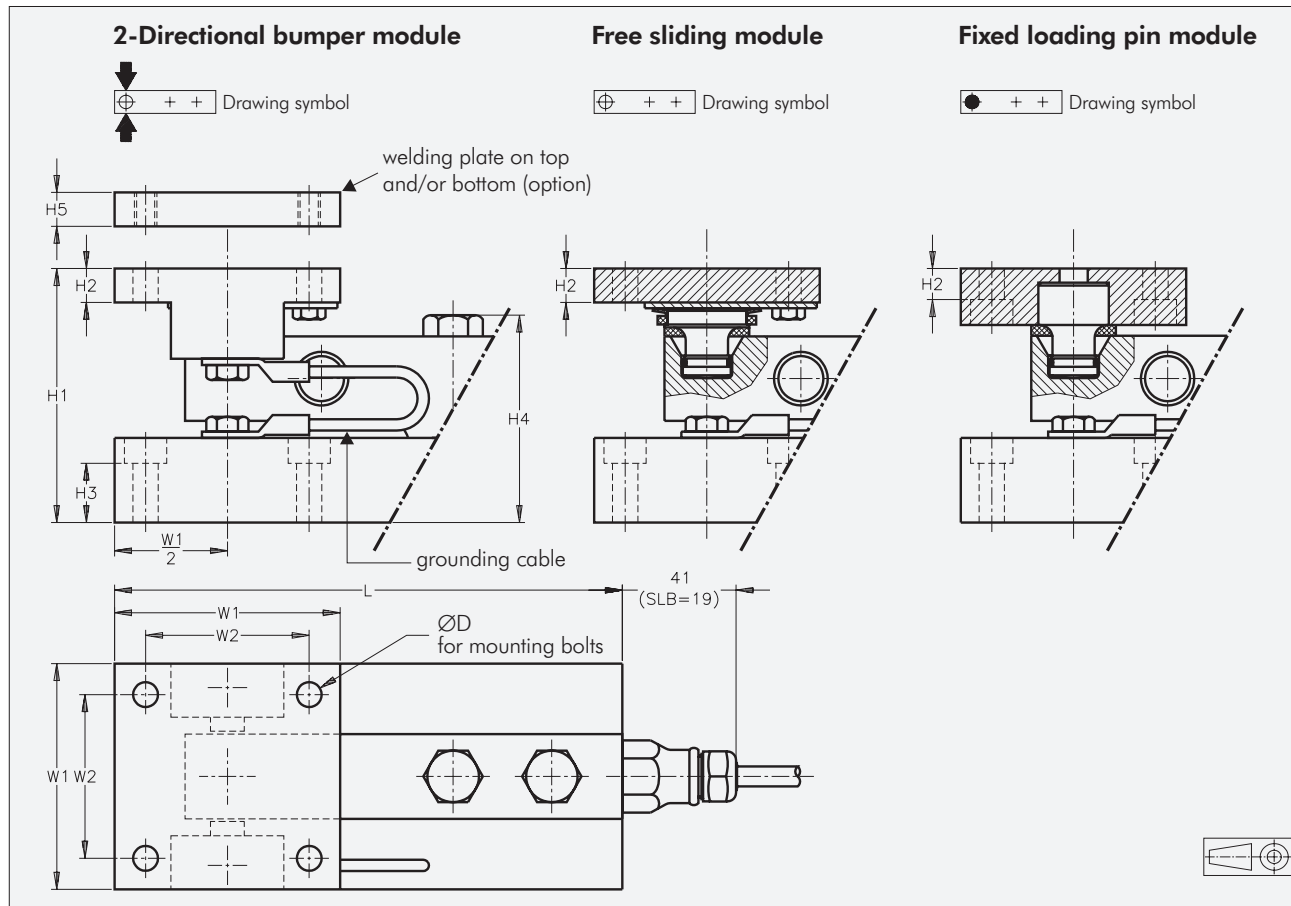
Standard version: zinc plated steel.

Important Features

- Capacities 100 kg to 10000 kg.
- Very easy to install.
- Especially designed for hopper and tank weighing.
- W&M certified for 3000 intervals.
- Lift off protection available.
- Overload protection available.
- Welding plates available
- All stainless steel version available.



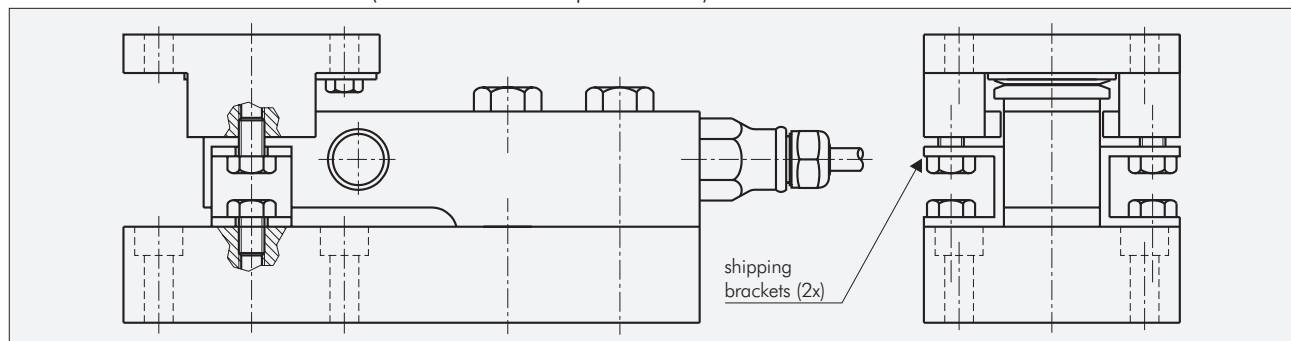
Dimensions



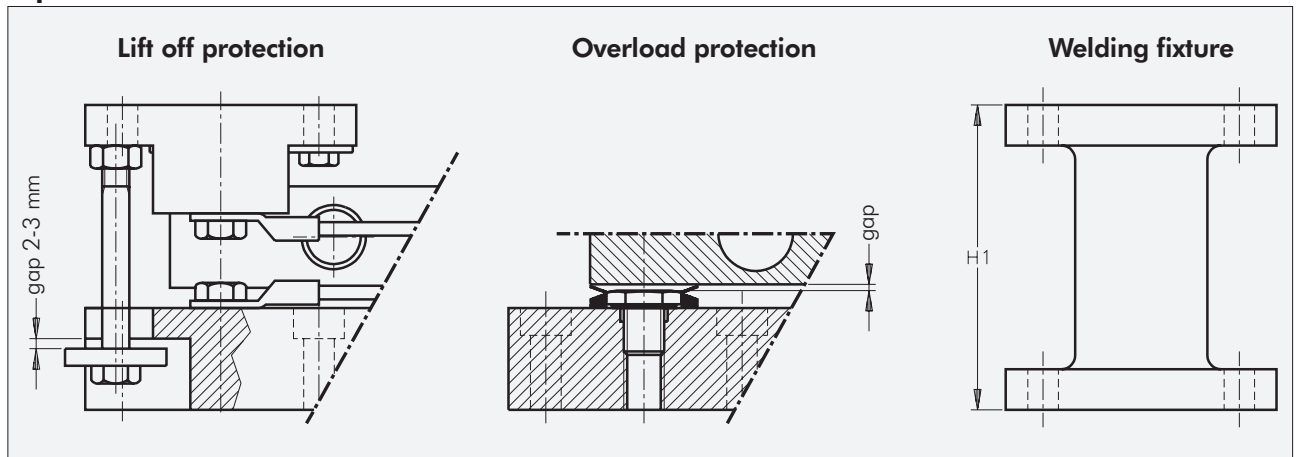
Load cell type	Capacity in kg	L	H1	H2	H3	H4	H5	W1	W2	ØD	Mounting bolt	Weight (kg)
SB6-0.2/0.5/1/2 kN	100/200	150	80	8	8	60	10	60	44	7	M6	3
SB4/SB5-5/10/20 kN	500/1000/2000	180	90	12	21	74	12	80	58	9	M8	5
SB4/SB5-50 kN	5000	220	120	15	29	102	15	100	76	11	M10	11
SB4-100kN	10000	275	170	20	47	148	20	120	90	14.5	M12	26
SLB-0.2/0.5/1/2.5 klb	91/227/454/1134	164	90	12	20	74	12	80	58	9	M8	5
SB14-0.5/1/2.5 klb	227/454/1134	164	90	12	20	74	12	80	58	9	M8	5
SB14/SLB-5 klb	2268	164	90	12	20	78	12	80	58	9	M8	5

All dimensions in mm. Dimensions and specifications are subject to change without notice.

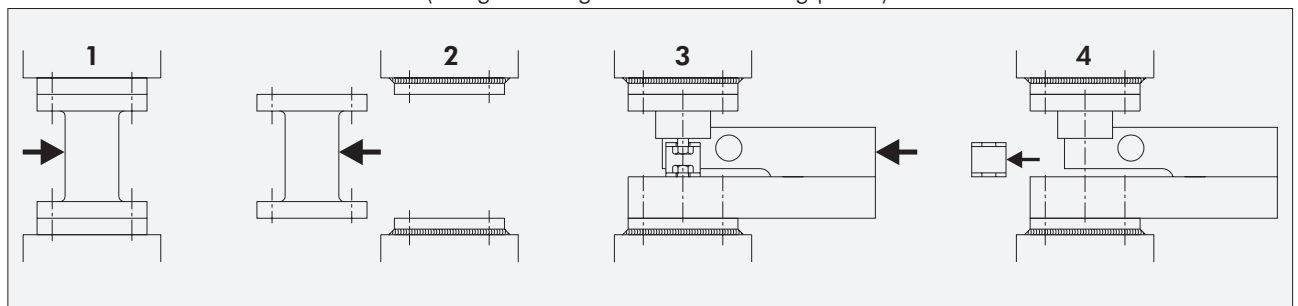
Pre-assembled module (2-directional bumper module)



Options

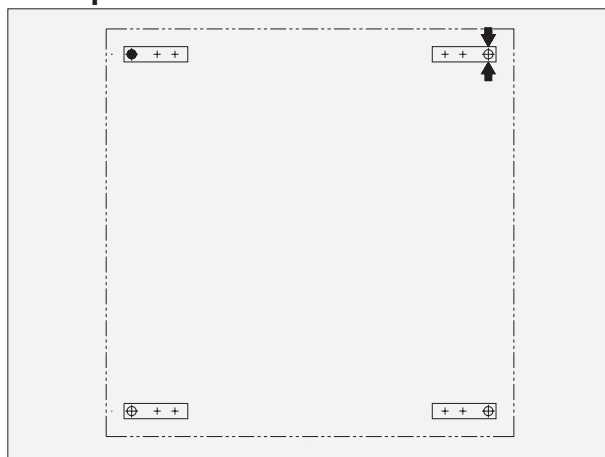


Installation of the modules (using welding fixture and welding plates)

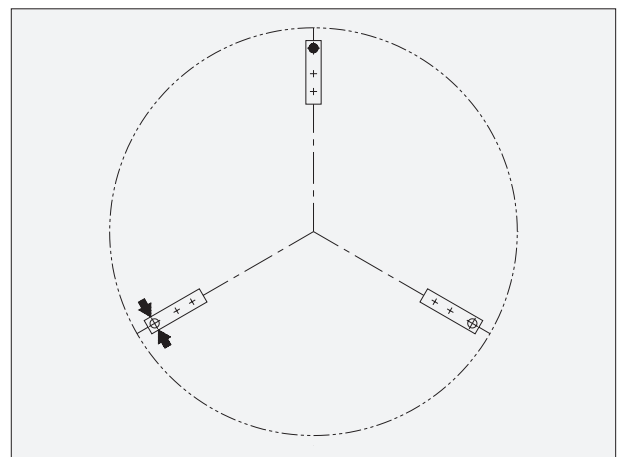


1. Assemble welding fixture and welding plates. Install by welding top and bottom.
2. Jack the tank, remove the fixture.
3. Install weighing module.
4. Remove shipping brackets, install grounding cable.

Examples



Tank or hopper with 4 load cells



Tank or hopper with 3 load cells

Notes:

- Take care for sufficient stiffness in the mechanical construction. Install girders between the legs if required.
- Foundation plates to be flat and horizontal; according to specifications.
- Use the grounding cable for lightning protection. Details of lightning protection on request.

