



## Product Description

Flintec Force Transducers are designed to meet the most stringent accuracy requirements. The CT4 *Metrology Grade* shear web metric series force transducers offer the following items.

## Key Features

- Capacities: 1.5 kN to 500 kN
- High accuracy:
  - ASTM E74 Class AA to 10% of range
  - ASTM E74 Class A to 2% of range
  - ISO 376 Class 0.5
- Low height
- Guaranteed maximum off-centre load and moment error
- Low creep
- Low susceptibility to magnetic fields
- Barometric pressure compensated
- Temperature compensated
- Output up to 4 mV/V
- Bayonet connector
- Protection IP 67

## Includes

- Base (Delivery always with base!)
- Male/Male thread adaptor in flexure
- ASTM E74 Calibration with NIST / NVLAP accreditation
- Two-year conditional warranty

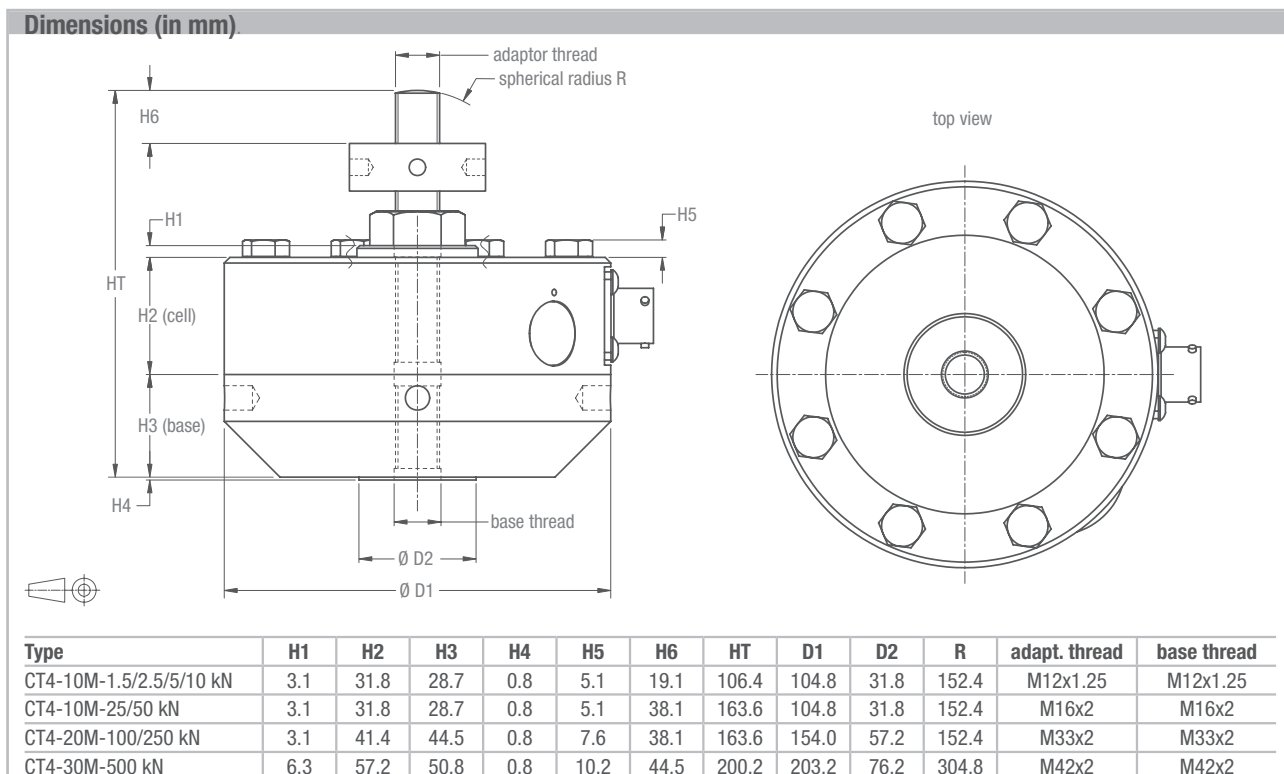
## Option

- ISO 376 Calibration with NIST / NVLAP accreditation

## Available Accessories

- Mating connector
- Loading fixtures
- Interconnection cable
- Shunt calibration connector
- Instrumentation

Specifications						
<b>MODEL</b>			CT4-10M-	CT4-10M-	CT4-20M-	CT4-30M-
Maximum capacity	(E <sub>max</sub> )	kN	1.5 / 2.5 / 5 / 10	25 / 50	100 / 250	500
<b>ACCURACY</b>						
Static error band		%*RO	≤ ± 0.02	≤ ± 0.03	≤ ± 0.04	≤ ± 0.05
Non-linearity		%*RO	≤ ± 0.02	≤ ± 0.04		≤ ± 0.05
Hysteresis		%*RO	≤ ± 0.02	≤ ± 0.04		≤ ± 0.05
Non-repeatability		%*RO	≤ ± 0.005	≤ ± 0.01		
Creep error (20 minutes)		%*RO	≤ ± 0.015	≤ ± 0.03		
Off-centre load sensitivity		%*RO/cm	≤ ± 0.02	≤ ± 0.25		
Side load sensitivity		%*RO	≤ ± 0.05	≤ ± 0.25		
Zero balance		%*RO	≤ ± 1.0	≤ ± 1.0		
<b>TEMPERATURE</b>						
Compensated temperature range		°C	-10...+45			
Operating temperature range		°C	-55...+90			
Temperature effect on sensitivity	(TC <sub>LC</sub> )	%*of reading/°C	≤ ± 0.0015			
Temperature effect on zero	(TC <sub>0</sub> )	%*RO/°C	≤ ± 0.0027			
<b>ELECTRICAL</b>						
Rated Output	(RO)	mV/V	2 ± 10%	4 ± 10%		
Excitation voltage		V	recommended 10 , max. 20			
Input resistance	(R <sub>LC</sub> )	Ω	350 +40/-3.5			
Output resistance	(R <sub>out</sub> )	Ω	350 ± 3.5			
Insulation resistance (50 V DC)		MΩ	≥ 5000			
<b>MECHANICAL</b>						
Safe load limit	(E <sub>lim</sub> )	%*E <sub>max</sub>	150			
Weight (including base)		kg	1.32	3.13	10.80	26.17
Flexure material			steel			
Protection according EN 60 529			IP 67			



**Wiring**

- The force transducer is provided with a bayonet connector (type MS3112E10-6P, pin assignment see table)
- The suitable cable connector (type MS3116F10-6S) and assembled connection cables are available on request

Connector pin	Function
A	+ Excitation / + Sense
B	+ Signal
C	- Signal / ShuntCal
D	- Excitation / - Sense