

Shear Beam Load Cell

FEATURES:

- Rated capacities of 0.5ton to 7.5tons
- Threaded load hole configuration
- Low profile
- Trade certified for OIML C3
- Optional material, stainless steel version available



APPLICATION:

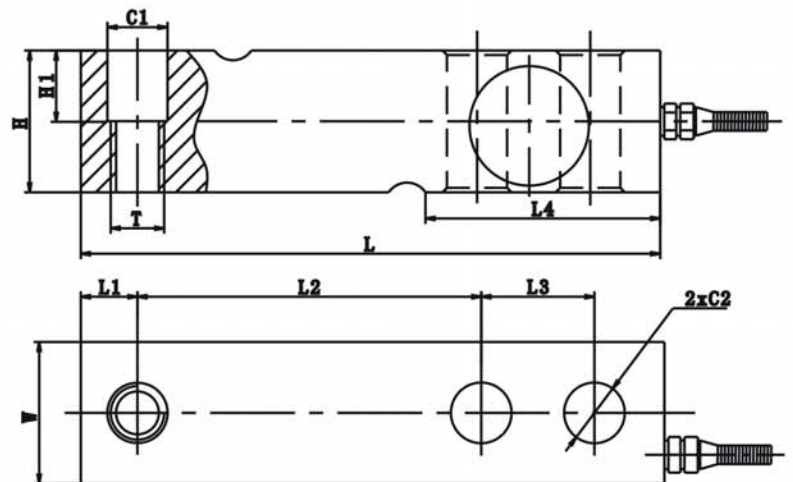
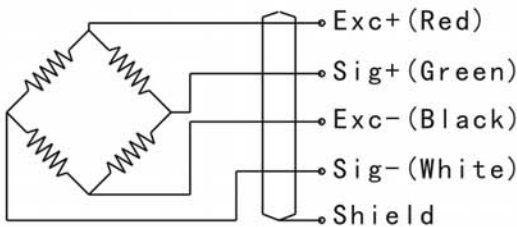
- Floor scale
- Tank weighing
- Bin, vessel and hopper weighing



DESCRIPTION:

Model SQB is a low profile single-ended shear beam load cell, designed for high-accuracy platform scales, pallets scales and process weighing application. It has high immunity to shock or side loading. Being with approval of OIML C3.

Wiring Diagram



Rated Capacity:

ton/mm	L	L1	L2	L3	L4	H	H1	W	C1	C2	T
0.5,1,1.5,2	130	12.6	76.2	25.4	50.5	32	16	32	Φ 13.5	Φ 13	M12
3,5	171.5	19	95.3	38.1	70	48	24	36.5	Φ 20.5	Φ 20.5	M18x1.5

SPECIFICATIONS

Rated capacity:	0.5ton to 7.5tons	Operating temperature range:	-30 to +70°C
Rated output:	2.0 ± 0.002mv/v	Maximum safe overload;	150% OF R.C
Combined error:	± 0.05% F.S	Ultimate safe overload;	180% OF R.C
Non-repeatability:	± 0.02% F.S	Recommended Excitation;	10 to 12V DC
Non-linearity:	± 0.02% F.S	Maximum Excitation;	15V DC
Hysteresis error:	± 0.02% F.S	Environment protection:	IP68
Zero balance:	± 1% F.S	Input impedance:	400 ± 20 Ω
Creep error(30minutes):	± 0.02% F.S	Output impedance:	352 ± 3 Ω
Temperature effect on zero:	± 0.02% F.S	Insulation resistance at 50V DC:	≥ 5000M Ω
Temperature effect on output:	± 0.02% F.S	Material:	nickel-plated alloy steel
Compensated temperature range:	-10 to +40°C	Cable length:	3meter, diameter 6mm

Shear Beam Load Cell

FEATURES:

- Rated capacities of 0.5ton to 7.5tons
- Threaded load hole configuration
- Low profile
- Trade certified for OIML C3
- Trade certified for OIML C3
- Optional material, stainless steel version available



APPLICATION:

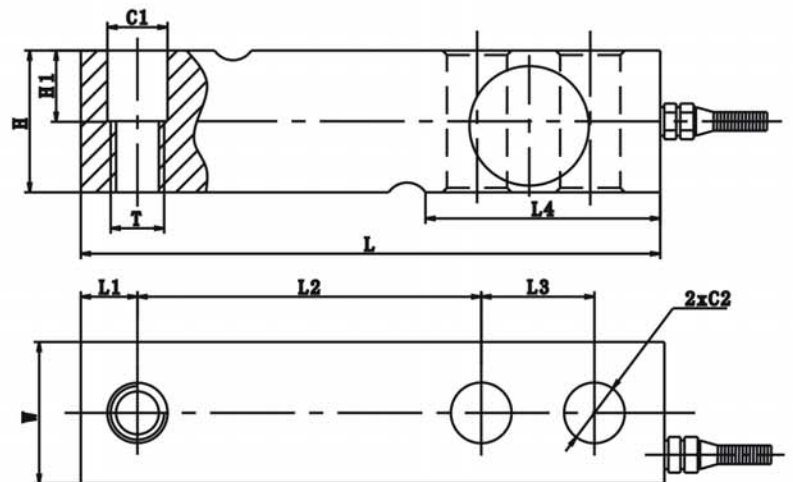
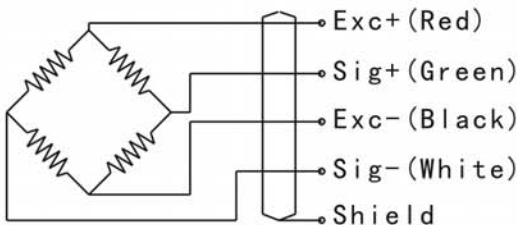
- Floor scale
- Tank weighing
- Bin, vessel and hopper weighing



DESCRIPTION:

Model SQBB is a low profile single-ended shear beam load cell, designed for high-accuracy platform scales, pallets scales and process weighing application. It has high immunity to shock or side loading. Being with approval of OIML C3.

Wiring Diagram



Rated Capacity:

ton/mm	L	L1	L2	L3	L4	H	H1	W	C1	C2	T
0.5,1,1.5,2	130	12.6	76.2	25.4	50.5	32	16	32	Φ 13.5	Φ 13	M12
3,5	171.5	19	95.3	38.1	70	48	24	36.5	Φ 20.5	Φ 20.5	M18x1.5

SPECIFICATIONS

Rated capacity:	0.5ton to 7.5tons	Operating temperature range:	-30 to +70°C
Rated output:	2.0 ± 0.002mv/v	Maximum safe overload;	150% OF R.C
Combined error:	± 0.05% F.S	Ultimate safe overload;	180% OF R.C
Non-repeatability:	± 0.02% F.S	Recommended Excitation;	10 to 12V DC
Non-linearity:	± 0.02% F.S	Maximum Excitation;	15V DC
Hysteresis error:	± 0.02% F.S	Environment protection:	IP68
Zero balance:	± 1% F.S	Input impedance:	400 ± 20 Ω
Creep error(30minutes):	± 0.02% F.S	Output impedance:	352 ± 3 Ω
Temperature effect on zero:	± 0.02% F.S	Insulation resistance at 50V DC:	≥ 5000M Ω
Temperature effect on output:	± 0.02% F.S	Material:	nickel-plated alloy steel
Compensated temperature range:	-10 to +40°C	Cable length:	3meter, diameter 6mm

FEATURES:

- Capacity 10kg to 100kg
- Welded Protection
- High Precision
- Made by Stainless Steel

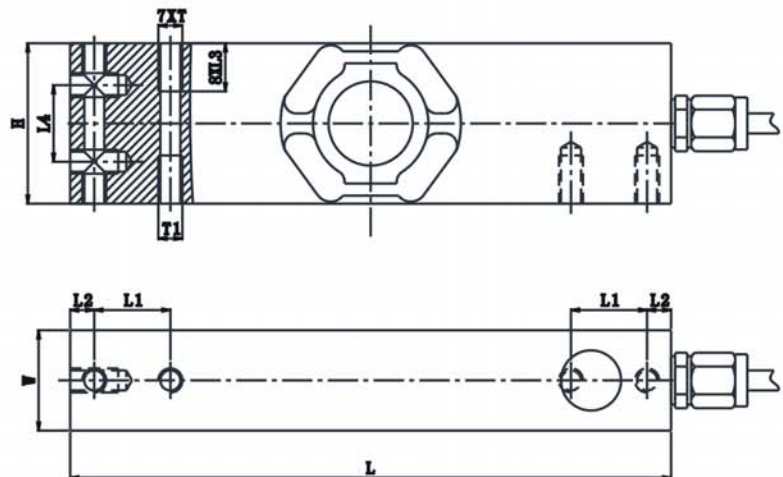
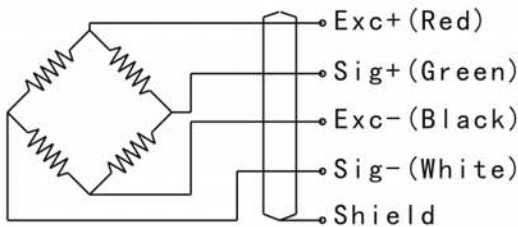


APPLICATION:

- Bench Scale



Wiring Diagram



Rated Capacity:

Kg/mm	L	W	H	L1	L2	L3	L4	T	T1
10,20,50,100	150	25	40	19	6	12	19.1	M6	M6X0.5

SPECIFICATIONS

Rated capacity:	10kg to 100kg	Operating temperature range:	-30 to +70°C
Rated output:	1.9 ± 0.4mv/v	Maximum safe overload;	150% OF R.C
Combined error:	± 0.03% F.S	Ultimate safe overload;	200% OF R.C
Non-repeatability:	± 0.02% F.S	Recommended Excitation;	10 to 12V DC
Non-linearity:	± 0.02% F.S	Maximum Excitation;	15V DC
Hysteresis error:	± 0.02% F.S	Environment protection:	IP68
Zero balance:	± 1% F.S	Input impedance:	380 ± 20 Ω
Creep error(30minutes):	± 0.02% F.S	Output impedance:	352 ± 3 Ω
Temperature effect on zero:	± 0.02% F.S	Insulation resistance at 50V DC:	≥ 5000M Ω
Temperature effect on output:	± 0.02% F.S	Material:	Stainless steel
Compensated temperature range:	-10 to +40°C	Cable length:	2meter, diameter 5mm



ZSWF/ZSWFB/ZSWFG-AD(ADSS)

Column type

FEATURES:

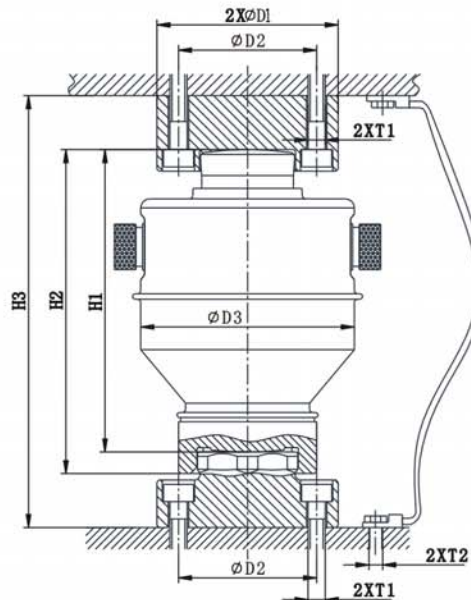
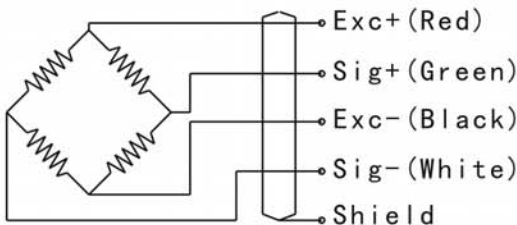
- Capacity: 10t to 60t
- Dual Column Type Digital Load Cell
- Protection Class IP68/IP69K
- OIML C3 Approval
- Made by Alloy Steel with Stainless Steel housing
- Optional fixed Connector(ZSWF), Single Air Plugs(ZSWFB), Dual air plugs (ZSWFG)



APPLICATION:

- Truck Weighing Scale
- Silo, Tank, Hopper
- Axle Weighing Scale
- Railway Weighing Scale

Wiring Diagram



Rated Capacity:

t/mm	D1	D2	D3	H1	H2	H3	T1	T2
10,20,30,40,50,60	83.5	64	99	140	150	200	M8	M8

SPECIFICATIONS

Rated capacity:	10ton to 60ton	Ultimate safe overload;	200% OF R.C
Combined error:	± 0.02% F.S	Recommended Excitation;	7 to 15V DC
Non-repeatability:	± 0.01% F.S	Maximum Excitation;	15V DC
Non-linearity:	± 0.01% F.S	Environment protection:	IP68 (ZSWF) ; IP69K(ZSWFB, ZSWFG)
Hysteresis error:	± 0.02% F.S	Communication BPS:	9600/19200
Temperature effect on zero:	± 0.012% F.S	Communication Mode:	RS 485
Temperature effect on output:	± 0.01% F.S	Material:	alloy steel+Stainless housing (ZSWF-AD,ZSWFB-AD,ZSWFG-AD) 100% made by stainless (ZSWF-ADSS,ZSWFB-ADSS,ZSWFG-ADSS)
Compensated temperature range:	-10 to +40°C	cable length:	length-16meter; diameter- φ 8.8mm
Operating temperature range:	-30 to +70°C		
Maximum safe overload;	150% OF R.C		



ZSWG/ZSWGGB/ZSWG-AD(ADSS)

Column type

FEATURES:

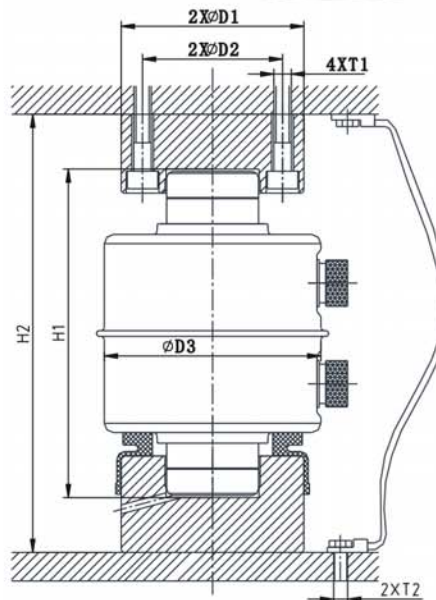
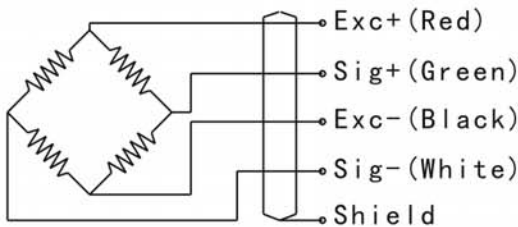
- Capacity:10t to 60t
- Dual Column Type Digital Load Cell
- Protection Class IP68/IP69K
- OIML C3 Approval
- Made by Alloy Steel with Stainless Steel housing
- Optional fixed Connector (ZSWG) ,
Single air plugs (ZSWGGB) ,
Dual air plugs (ZSWG)

APPLICATION:

- Truck Weighing Scale
- Silo,Tank,Hopper
- Axle Weighing Scale
- Railway Weighing Scale



Wiring Diagram



Rated Capacity:

t/mm	D1	D2	D3	H1	H2	T1	T2
10,20,30,40,50,60	83.5	64	99	140	150	M8	M8

SPECIFICATIONS

Rated capacity:	10ton to 60ton	Ultimate safe overload;	200% OF R.C
Combined error:	± 0.02% F.S	Recommended Excitation;	7 to 15V DC
Non-repeatability:	± 0.01% F.S	Maximum Excitation;	15V DC
Non-linearity:	± 0.01% F.S	Environment protection:	IP68 (ZSWG) ; IP69K(ZSWGGB, ZSWG)
Hysteresis error:	± 0.02% F.S	Communication BPS:	9600/19200
Temperature effect on zero:	± 0.012% F.S	Communication Mode:	RS 485
Temperature effect on output:	± 0.1% F.S	Material:	alloy steel+Stainless housing (ZSWG-AD,ZSWGGB-AD,ZSWG-AD)
Compensated temperature range:	-10 to +40°C		100% made by stainless (ZSWG-ADSS,ZSWGGB-ADSS,ZSWG-ADSS)
Operating temperature range:	-30 to +70°C	Cable length:	length-16meter; diameter-φ 8.8mm
Maximum safe overload;	150% OF R.C		

FEATURES:

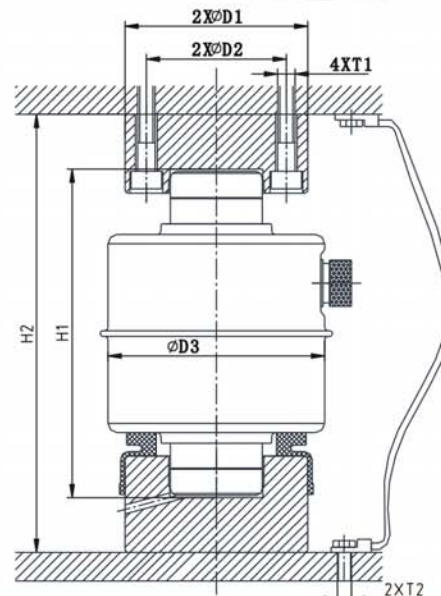
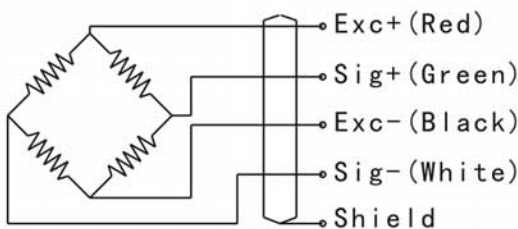
- Capacity: 10t to 50t
- Dual Column Type Analogy Load Cell
- Protection Class IP68/IP69K
- Made by Alloy Steel with Stainless Steel housing
- Optional fixed Connector (ZSWG C), Air plugs (ZSWG B)



APPLICATION:



Wiring Diagram



Rated Capacity:

t/mm	D1	D2	D3	H1	H2	T1	T2
10,20,30,40,50,60	83.5	64	99	140	150	M8	M8

SPECIFICATIONS

Rated capacity:	10ton to 50ton	Maximum safe overload;	150% OF R.C
Rated output:	2.0 ± 0.002mv/v	Ultimate safe overload;	200% OF R.C
Combined error:	± 0.03% F.S	Recommended Excitation;	10 to 12V DC
Non-repeatability:	± 0.02% F.S	Maximum Excitation;	15V DC
Non-linearity:	± 0.02% F.S	Environment protection:	IP68 (ZSWG C) ; IP69K(ZSWG B)
Hysteresis error:	± 0.02% F.S	Input impedance:	700 ± 20 Ω
Zero balance:	± 1% F.S	Output impedance:	703 ± 5 Ω
Creep error(30minutes):	± 0.02% F.S	Insulation resistance at 50V DC:	≥ 5000M Ω
Temperature effect on zero:	± 0.02% F.S	Material:	alloy steel+Stainless housing (ZSWG B-A,ZSWG C-A) 100% made by stainless (ZSWG B-ASS,ZSWG C-ASS)
Temperature effect on output:	± 0.02% F.S	Cable length:	length-16meter; diameter- φ 8.8mm
Compensated temperature range:	-10 to +40°C		
Operating temperature range:	-30 to +70°C		

*

Single-ended shear beam

FEATURES:

- capacity: 0.5klb to 20klb
- Threaded load hole configuration
- low profile, high accuracy
- Trade certified for NTEP III L M5000 approval
- Alloy steel, optional stainless steel available
- Protection IP68

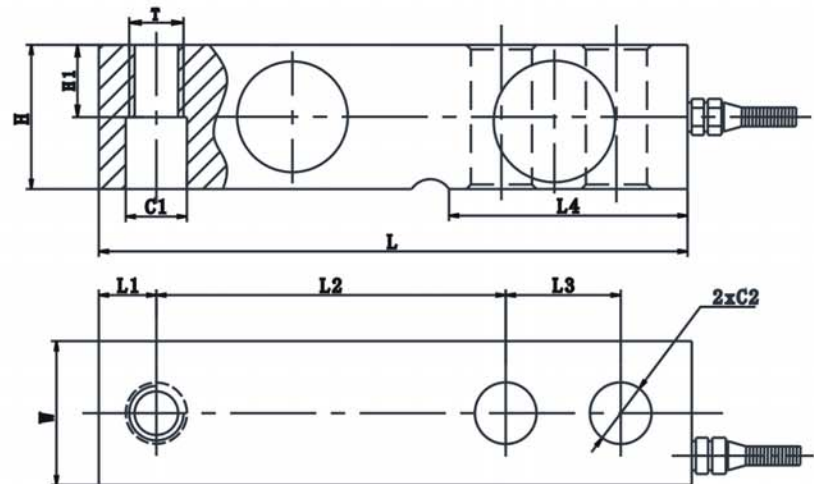
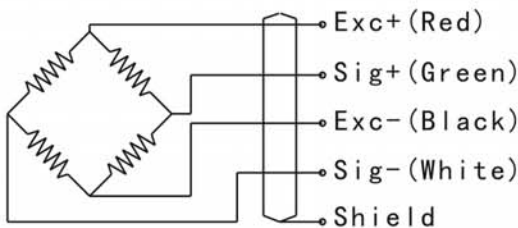


APPLICATION:

- Floor scale
- Tank, hopper, silo, bin, vessel weighing
- Various low profile scale
- Packaging, batching and filling system



Wiring Diagram



Rated Capacity:	L	L1	L2	L3	L4	H	H1	W	C1	C2	T
klb/mm											
0.5,0.75,1,1.5,2,2.5,3,4	130	12.7	76.2	25.4	53.5	31.8	15.7	31.8	Φ13.5	Φ13	1/2-20UNF-2B
5,7.5,10	171.5	19	95.3	38.1	72.5	38.1	19.05	38.1	Φ20	Φ20	3/4-16UNF-2B
15,20	225.5	25.3	124	50.8	102	50.8	25.4	50.8	Φ27	Φ27	1-14UNS

SPECIFICATIONS

Rated capacity:	0.5klb to 20klb	Operating temperature range:	-30 to +70°C
Rated output:	3.0 ± 0.003mv/v	Maximum safe overload;	150% OF R.C
Combined error:	± 0.03% F.S; ± 0.05% F.S	Ultimate safe overload;	180% OF R.C
Non-repeatability:	± 0.02% F.S	Recommended Excitation;	10 to 12V DC
Non-linearity:	± 0.02% F.S	Maximum Excitation;	15V DC
Hysteresis error:	± 0.02% F.S	Environment protection:	IP68
Zero balance:	± 1% F.S	Input impedance:	400 ± 20 Ω
Creep error(30minutes):	± 0.02% F.S	Output impedance:	352 ± 3 Ω
Temperature effect on zero:	± 0.02% F.S	Insulation resistance at 50V DC:	≥ 5000M Ω
Temperature effect on output:	± 0.02% F.S	Material:	nickel-plated alloy steel; Stainless steel
Compensated temperature range:	-10 to +40°C	Cable length:	(1.5/3)meter(0.5klb-5klb), 6meter(7.5klb-20klb), diameter 6mm

FEATURES:

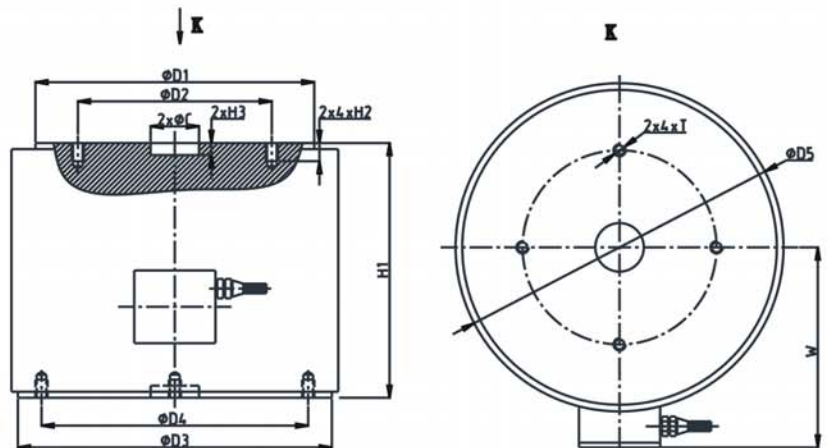
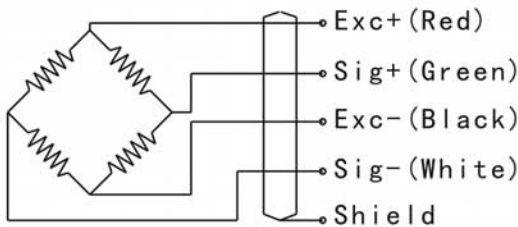
- High capacity: 300t to 500t
- Force can be applied at both of sides
- Low profile
- High stability and reliability
- Multi-column constructure, stainless steel canister

APPLICATION:

- Industrial force measurement
- Industrial processing control
- Calibration of testing machine
- Heavy duty weighing system



Wiring Diagram



Rated Capacity:

ton/mm	D1	D2	D3	D4	D5	H1	H2	H3	W	T	C
300,400,500	230	160	259	220	270.5	210	15	10	165	M10	40

SPECIFICATIONS

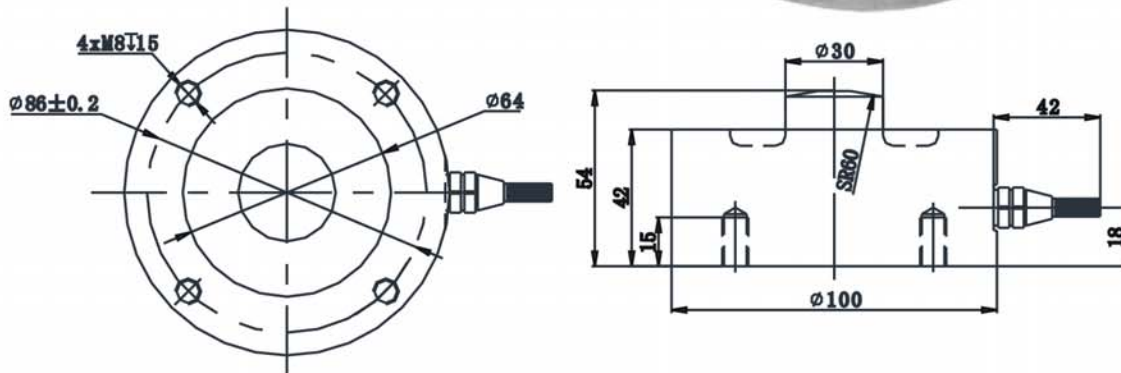
Rated capacity:	300ton to 500ton	Operating temperature range:	-30 to +70°C
Rated output:	2.0 ± 0.005mv/v	Maximum safe overload;	150% OF R.C
Combined error:	± 0.02% F.S	Ultimate safe overload;	180% OF R.C
Non-repeatability:	± 0.02% F.S	Recommended Excitation;	10 to 12V DC
Non-linearity:	± 0.02% F.S	Maximum Excitation;	15V DC
Hysteresis error:	± 0.02% F.S	Environment protection:	IP68
Zero balance:	± 1% F.S	Input impedance:	400 ± 20 Ω
Creep error(30minutes):	± 0.02% F.S	Output impedance:	352 ± 3 Ω
Temperature effect on zero:	± 0.02% F.S	Insulation resistance at 50V DC:	≥ 5000M Ω
Temperature effect on output:	± 0.02% F.S	Material:	nickel-plated alloy steel
Compensated temperature range:	-10 to +40°C	Cable length:	3meter, diameter 6mm

FEATURES:

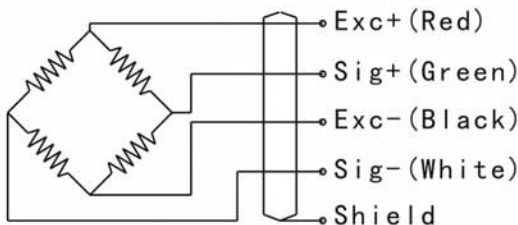
- Capacity: 2.5ton to 20ton
- Proven mounting kits for vessel
- Compact design, low profile, high accuracy
- Alloy steel, optional stainless steel
- Hermetically-sealed, IP68

APPLICATION:

- Tank, vessel, bin, hopper scales
- Industrial processing weighing control system
- Low-profile weighing scale



Wiring Diagram



Rated Capacity:

ton/mm	D1	D2	D3	D4	D5	H1	H2	H3	W	T	C
300,400,500	230	160	259	220	270.5	210	15	10	165	M10	40

SPECIFICATIONS

Rated capacity:	1ton to 10ton	Operating temperature range:	-30 to +70°C
Rated output:	2.0 ± 0.005mv/v	Maximum safe overload;	150% OF R.C
Combined error:	± 0.08% F.S	Ultimate safe overload;	200% OF R.C
Non-repeatability:	± 0.03% F.S	Recommended Excitation;	10 to 12V DC
Non-linearity:	± 0.08% F.S	Maximum Excitation;	15V DC
Hysteresis error:	± 0.08% F.S	Environment protection:	IP68
Zero balance:	± 1% F.S	Input impedance:	750 ± 10 Ω
Creep error(30minutes):	± 0.05% F.S	Output impedance:	702 ± 3 Ω
Temperature effect on zero:	± 0.02% F.S	Insulation resistance at 50V DC:	≥ 5000M Ω
Temperature effect on output:	± 0.05% F.S	Material:	nickel-plated alloy steel
Compensated temperature range:	-10 to +40°C	cable length:	3 meter, diameter 5mm 3meter, diameter 6mm

FEATURES:

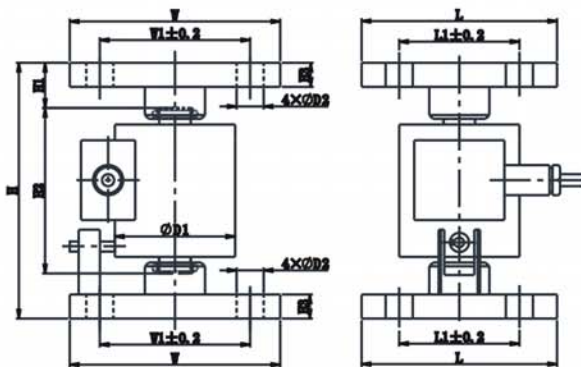
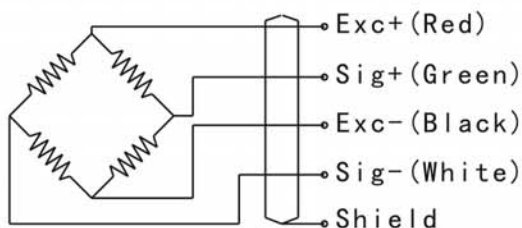
- Capacity 10t to 400t
- Rocker pin structure
- Laser welded,IP68
- Stainless steel ,alloy steel is optional

APPLICATION:

- truck scale
- tank scale ,hopper scale
- axle wheel scale
- railway scale



Wiring Diagram



Rated Capacity:ton/mm	D1	D2	H	H1	H2	H3	W	W1	L	L1
10t	80	18	170	30	110	16	140	100	130	80
20t	90	18	175	30	115	19	140	100	130	80
30t	100	22	205	40	125	22	190	130	170	110
50t、70t	125	22	255	50	155	45	200	140	180	120
100t、150t	165	26	340	70	200	32	240	160	230	160
200t、300t、400t	223	39	495	110	275	45	340	250	340	250

SPECIFICATIONS

Rated capacity:	10ton to 400ton	Ultimate safe overload:	200% OF R.C
Rated output:	2.0 ± 0.002mv/v	Recommended Excitation:	10 to 12V DC
Combined error:	± 0.03% F.S (10t~50t) ; ± 0.05% F.S (70t~100t) ; ± 0.1% F.S (150t~400t)	Maximum Excitation:	15V DC
Non-repeatability:	± 0.03% F.S	Environment protection:	IP68
Non-linearity:	± 0.03% F.S; ± 0.05% F.S	Input impedance:	400 ± 20 Ω
Hysteresis error:	± 0.03% F.S	Output impedance:	352 ± 3 Ω
Zero balance:	± 1% F.S	Insulation resistance at 50V DC:	≥ 5000MΩ
Creep error(30minutes):	± 0.03% F.S	Material:	alloy steel(ZSC-A); Stainless Steel(ZSC-ASS)
Temperature effect on zero:	± 0.03% F.S	Cable length:	8meter(10t),12meter(20t), 14meter(30t),16meter(50t~150t), 20meter(200t~400t)
Temperature effect on output:	± 0.03% F.S		diameter Φ6mm (10t) ; Φ8mm (20t~400t)
Compensated temperature range:	-10 to +40℃		
Operating temperature range:	-30 to +70℃		
Maximum safe overload:	150% OF R.C		

FEATURES:

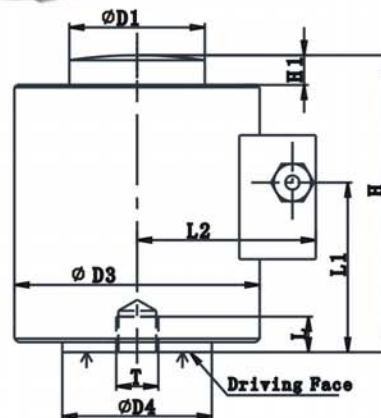
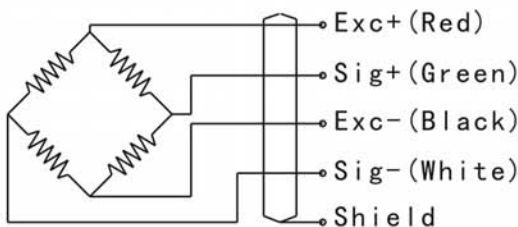
- Capacity 20t to 400t
- Laser welded, IP68
- Stainless steel ,alloy steel is optional

APPLICATION:

- Testing equipment
- Special force weighing equipment



Wiring Diagram



Rated Capacity: ton/mm	D1	D2	D3	D4	H	H1	L	L1	L2	T
20t	31.8	150	76	48	82.6	9	10	48	56	M12
25t	38	150	100	38	117	12	14	65	76	M20
30t	38	150	100	38	117	12	10	65	76	M12
40t	38	150	100	38	117	12	14	65	76	M20
50t、60t	58	200	107	64	127	12.7	14	66	81	M20
70t	58	250	125	64	142	13	14	91	86.5	M20
100t	70	300	165	70	184	20	20	104	111.8	M20
150t	70	300	165	78	184	20	20	104	111.8	M20
200t	100	500	223	112	250	20	36	152	137.5	M24
300t、400t	108	500	223	112	250	20	36	152	137.5	M24

SPECIFICATIONS

Rated capacity:	20ton to 400ton	Recommended Excitation:	10 to 12V DC
Rated output:	2.0 ± 0.002mv/v	Maximum Excitation:	15V DC
Combined error:	± 0.03% F.S (10t~50t) ; ± 0.05% F.S (60t~100t) ; ± 0.1% F.S (150t~400t)	Environment protection:	IP68
Non-repeatability:	± 0.03% F.S	Input impedance:	400 ± 20 Ω
Non-linearity:	± 0.03% F.S; ± 0.05% F.S	Output impedance:	352 ± 3 Ω
Hysteresis error:	± 0.03% F.S	Insulation resistance at 50V DC:	≥ 5000M Ω
Zero balance:	± 1% F.S	Material:	alloy steel(ZSC-A); Stainless Steel(ZSC-ASS)
Creep error(30minutes):	± 0.03% F.S	Cable length:	12meter(20t), 14meter(25t~40t), 16meter(50t~150t), 20meter(200t~400t) diameter Φ 6mm (20t) ; Φ 8mm (25t~400t)
Temperature effect on zero:	± 0.03% F.S		
Temperature effect on output:	± 0.03% F.S		
Compensated temperature range:	-10 to +40℃		
Operating temperature range:	-30 to +70℃		
Maximum safe overload:	150% OF R.C		
Ultimate safe overload:	200% OF R.C		

FEATURES:

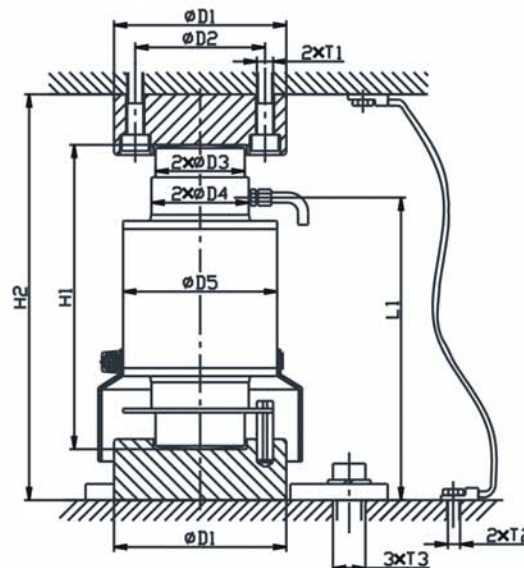
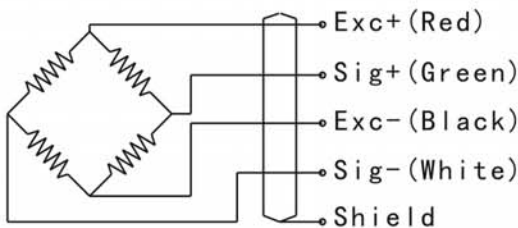
- Capacity 10t to 50t
- Rocker pin structure
- Laser weleded,IP68
- With OIML C3 certificate
- Stainless steel and alloy steel is optional

APPLICATION:

- truck scale
- tank scale ,hopper scale
- axle wheel scale
- railway scale



Wiring Diagram



Rated Capacity:

ton/mm	D1	D2	D3	D4	D5	H1	H2	L1	T1	T2	T3
10,15,20,25,30,40,50t	83.5	64	44	48	76	150	200	149	M8	M8	M16

SPECIFICATIONS

Rated capacity:	10ton to 50ton	Maximum Excitation:	15V DC
Rated output:	$2.0 \pm 0.002\text{mv/v}$	Environment protection:	IP68
Combined error:	$\pm 0.03\%$ F.S	Input impedance:	$400 \pm 20 \Omega$ (ZSF); $700 \pm 20 \Omega$ (ZSFY)
Non-repeatability:	$\pm 0.02\%$ F.S	Output impedance:	$352 \pm 3 \Omega$ (ZSF); $703 \pm 5 \Omega$ (ZSFY)
Non-linearity:	$\pm 0.02\%$ F.S	Insulation resistance at 50V DC:	$\geq 5000\text{M}\Omega$
Hysteresis error:	$\pm 0.02\%$ F.S	Material:	alloy steel(ZSF-A, ZSFY-A); Stainless Steel(ZSF-ASS, ZSFY-ASS)
Zero balance:	$\pm 1\%$ F.S	Cable length:	8meter(10t), 10meter(15t), 12meter(20t,25t), 14meter(30t), 16meter(40t,50t) diameter $\phi 5\text{mm}$
Creep error(30minutes):	$\pm 0.02\%$ F.S		
Temperature effect on zero:	$\pm 0.02\%$ F.S		
Temperature effect on output:	$\pm 0.02\%$ F.S		
Compensated temperature range:	-10 to $+40^\circ\text{C}$		
Operating temperature range:	-30 to $+70^\circ\text{C}$		
Maximum safe overload:	150% OF R.C		
Ultimate safe overload:	200% OF R.C		
Recommended Excitation:	10 to 12V DC		

FEATURES:

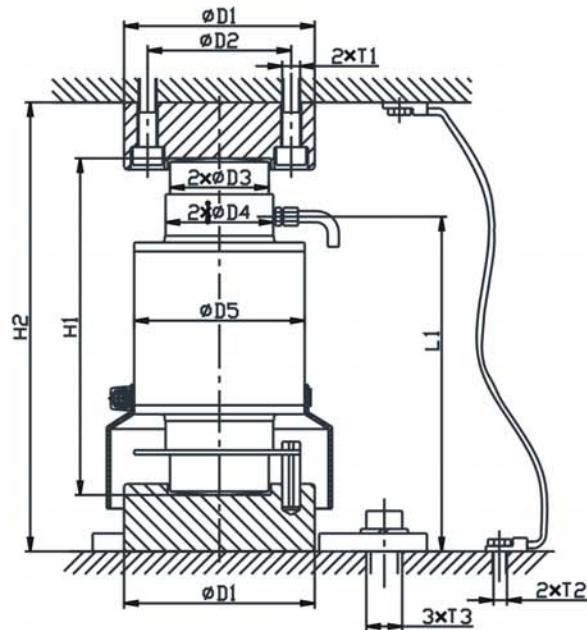
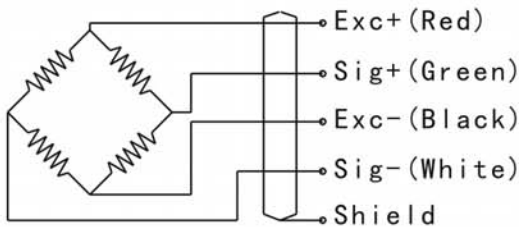
- Capacity 20t to 50t
- Rock pin structure
- laser welded,IP68
- OIML R60 up to 3000d
- Stainless steel and alloy steel is optional

APPLICATION:

- truck scale
- tank scale ,hopper scale
- axle wheel scale
- railway scale



Wiring Diagram



Rated Capacity:

ton/mm	D1	D2	D3	D4	D5	H1	H2	L1	T1	T2	T3
20,25,30,40,50t	83.5	64	44	48	76	150	200	149	M8	M8	M16

SPECIFICATIONS

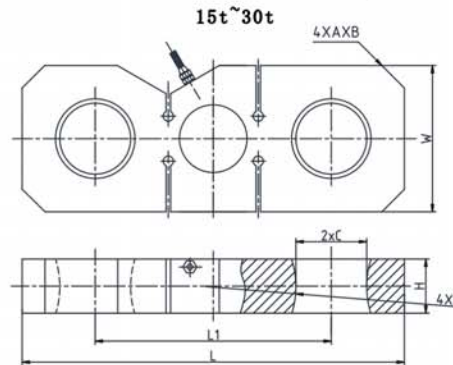
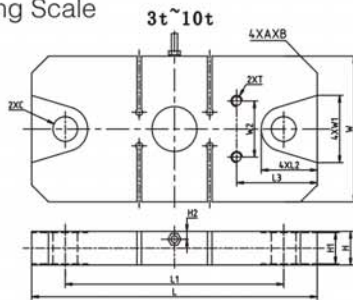
Rated capacity:	20ton to 50ton	Ultimate safe overload:	200% OF R.C
Combined error:	± 0.03% F.S	Recommended Excitation:	7 to 15V DC
Non-repeatability:	± 0.02% F.S	Environment protection:	IP68
Non-linearity:	± 0.02% F.S	Communication BPS:	9600/19200
Hysteresis error:	± 0.02% F.S	Communication Mode:	RS 485
Temperature effect on zero:	± 0.02% F.S	Material:	alloy steel(ZSFB-AD); Stainless Steel(ZSFB-ADSS)
Temperature effect on output:	± 0.02% F.S	Cable length:	12meter(20t,25t), 14meter(30t), 16meter(40t,50t) diameter φ 5mm
Compensated temperature range:	-10 to +40°C		
Operating temperature range:	-30 to +70°C		
Maximum safe overload:	150% OF R.C		

FEATURES:

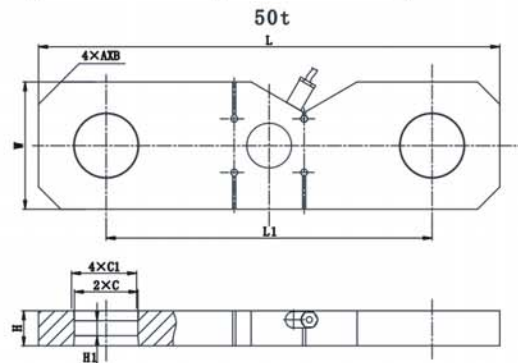
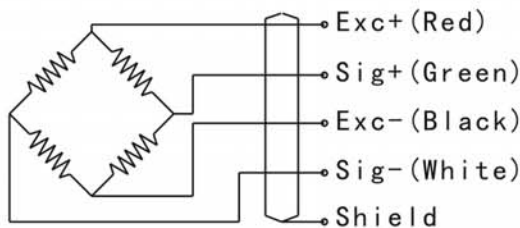
- Capacity:3t~150t
- Material Option:Alloy Steel,Stainless Steel

APPLICATION:

- Crane Scale
- Hopper Scale
- Packing Scale



Wiring Diagram



Rated Capacity:

ton/mm	L	L1	L2	L3	H	H1	H2	C	C1	W	W1
3t	255	201	50	72	30	28	7	Φ22	/	100	60
5t	255	201	50	72	30	28	7	Φ22	/	130	60
10t	295	215	70	92	40	38	7	Φ28	/	130	84
15t~30t	340	210	/	/	48	/	/	Φ63	/	130	/
50t	620	438	/	/	47	20	/	Φ85.5	Φ87.5	171	/
100t~150t	500	305	/	/	130	/	/	97	/	190	/

SPECIFICATIONS

Rated capacity:	5t to 150ton	Maximum safe overload;	120% OF R.C
Rated output:	2.0 ± 0.002mv/v(5t~50t), 1.5 ± 0.002mv/v(3t,100t~150t)	Ultimate safe overload;	150% OF R.C
Combined error:	± 0.05% F.S	Recommended Excitation;	10 to 12V DC
Non-repeatability:	± 0.03% F.S	Maximum Excitation;	15V DC
Non-linearity:	± 0.05% F.S	Environment protection:	IP67
Hysteresis error:	± 0.05% F.S	Input impedance:	400 ± 20 Ω
Zero balance:	± 1% F.S	Output impedance:	352 ± 3 Ω
Creep error(30minutes):	± 0.05% F.S	Insulation resistance at 50V DC:	≥ 5000MΩ
Temperature effect on zero:	± 0.03% F.S	Material:	nickel-plated alloy steel
Temperature effect on output:	± 0.03% F.S	Cable length:	12meter (3t~30t, 100t~150t)
Compensated temperature range:	-10 to +40°C		diameter 5mm,
Operating temperature range:	-30 to +70°C		10meter (50t)
			diameter 8mm

Double-ended shear beam

FEATURES:

- Capacity 10t~30t
- Double Shear Beam structure
- Low profile

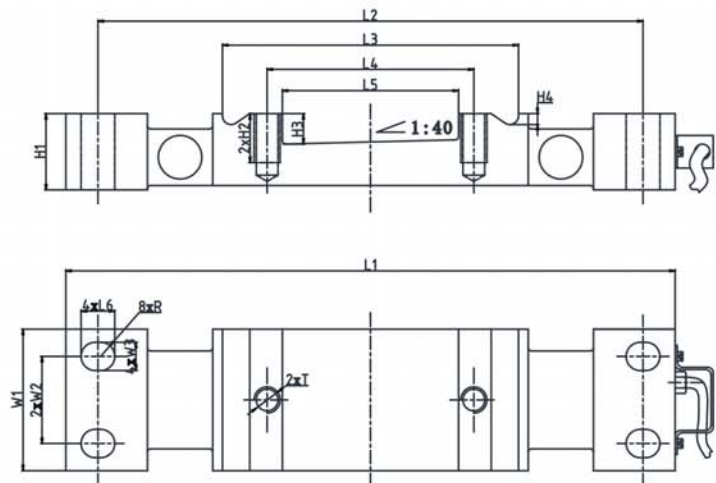
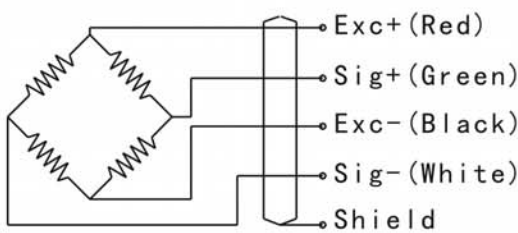


APPLICATION:

- Railway scale



Wiring Diagram



Rated Capacity:

ton/mm	L1	L2	L3	L4	L5	L6	W1	W2	W3	H1	H2	H3	H4	R	T
10,15,20,25,30t	560	501	272	190	162	31	130	80	26	70	45	28	10	R13	M24

SPECIFICATIONS

Rated capacity:	10ton to 30ton	Recommended Excitation;	10 to 12V DC
Rated output:	$1.6 \pm 0.005\text{mv/v}$	Maximum Excitation;	15V DC
Combined error:	$\pm 0.3\%$ F.S	Environment protection:	IP67
Non-repeatability:	$\pm 0.05\%$ F.S	Input impedance:	$750 \pm 10 \Omega$
Non-linearity:	$\pm 0.3\%$ F.S	Output impedance:	$703 \pm 5 \Omega$
Hysteresis error:	$\pm 0.3\%$ F.S	Insulation resistance at 50V DC:	$\geq 5000\text{M}\Omega$
Zero balance:	$\pm 1\%$ F.S	Material:	alloy steel
Creep error(30minutes):	$\pm 0.05\%$ F.S	Cable length:	16meter, diameter 6mm
Temperature effect on zero:	$\pm 0.03\%$ F.S		
Temperature effect on output:	$\pm 0.03\%$ F.S		
Compensated temperature range:	-10 to +40°C		
Operating temperature range:	-30 to +70°C		
Maximum safe overload;	120% OF R.C		
Ultimate safe overload;	150% OF R.C		

Single-ended shear beam

FEATURES:

- Capacity 100kg~2t
- Low install height
- Option Material Alloy Steel,Stainless Steel

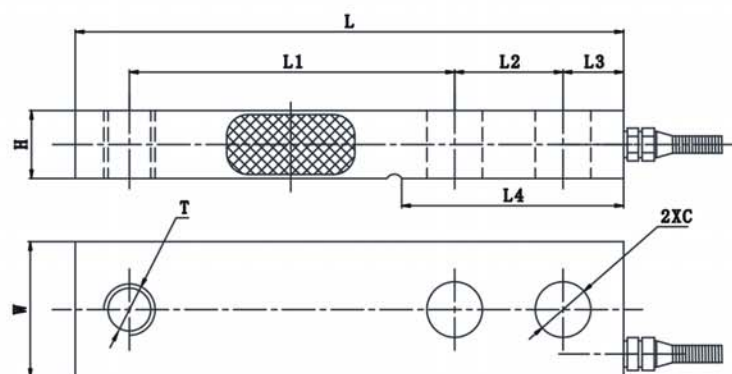
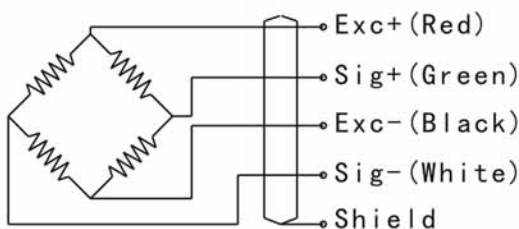


APPLICATION:

- Low profile platform scale



Wiring Diagram



Rated Capacity:

ton/mm	L	H	W	L1	L2	L3	L4	T	C
0.1~0.5t	128.5	15.9	31.8	76.2	25.4	14.2	52	M12	Φ13
0.75~1t	128.5	19.1	31.8	76.2	25.4	14.2	52	M12	Φ13
1.5~2t	128.5	25.4	31.8	76.2	25.4	14.2	52	M12	Φ13

SPECIFICATIONS

Rated capacity:	100kg to 2ton	Maximum safe overload;	150% OF R.C
Rated output:	2.0 ± 0.003mv/v	Ultimate safe overload;	200% OF R.C
Combined error:	± 0.05% F.S	Recommended Excitation;	10 to 12V DC
Non-repeatability:	± 0.02% F.S	Maximum Excitation;	15V DC
Non-linearity:	± 0.02% F.S	Environment protection:	IP65
Hysteresis error:	± 0.02% F.S	Input impedance:	400 ± 20 Ω
Zero balance:	± 1% F.S	Output impedance:	352 ± 3 Ω
Creep error(30minutes):	± 0.02% F.S	Insulation resistance at 50V DC:	≥ 5000M Ω
Temperature effect on zero:	± 0.02% F.S	Material:	nickel-plated alloy steel
Temperature effect on output:	± 0.02% F.S	cable length:	3meter, diameter 5mm
Compensated temperature range:	-10 to +40°C		
Operating temperature range:	-30 to +70°C		

Single-point shear beam

FEATURES:

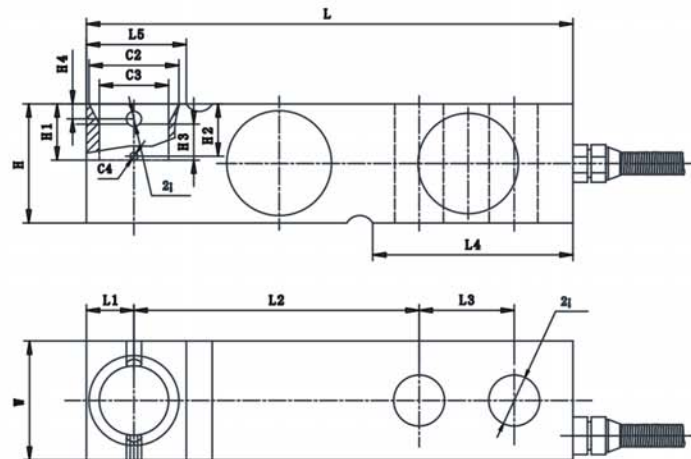
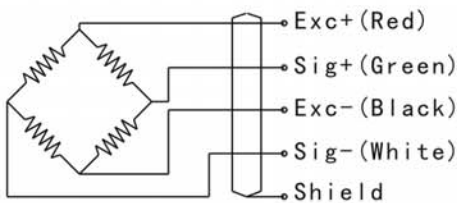
- Capacity 0.25t to 2.5t
- The screw bears stress
- Low height
- OIML C3 certificate
- Stainless steel
- Alloy steel



APPLICATION:

- Silo scale

Wiring Diagram



Rated Capacity:	L	L1	L2	L3	L4	L5	W	H	H1	H2	H3	H4	C1	C2	C3	C4	C5
0.25,0.5,0.75,1,2,2.5	130	12.7	76.2	25.4	53.5	26.7	31.8	31.8	15	14	9.6	4	Φ13	Φ24	Φ18.5	Φ2	Φ4

SPECIFICATIONS

Rated capacity:	0.25ton to2.5ton	Operating temperature range:	-30 to +70°C
Rated output:	2.0 ± 0.002mv/v(0.25t); 3.0 ± 0.003mv/v(0.5t~2.5t)	Maximum safe overload;	150% OF R.C
Combined error:	± 0.03% F.S(Alloy steel); ± 0.05% F.S(Stainless steel)	Ultimate safe overload;	180% OF R.C
Non-repeatability:	± 0.02% F.S	Recommended Excitation;	10 to 12V DC
Non-linearity:	± 0.02% F.S	Maximum Excitation;	15V DC
Hysteresis error:	± 0.02% F.S	Environment protection:	IP67 (0.25t) ; IP68 (0.5t~2.5t)
Zero balance:	± 1% F.S	Input impedance:	400 ± 20 Ω
Creep error(30minutes):	± 0.02% F.S	Output impedance:	352 ± 3 Ω
Temperature effect on zero:	± 0.02% F.S	Insulation resistance at 50V DC:	≥5000M Ω
Temperature effect on output:	± 0.02% F.S	Material:	Stainless steel
Compensated temperature range:	-10 to +40°C	cable length:	3meter,diameter 6mm

Single-ended shear beam

FEATURES:

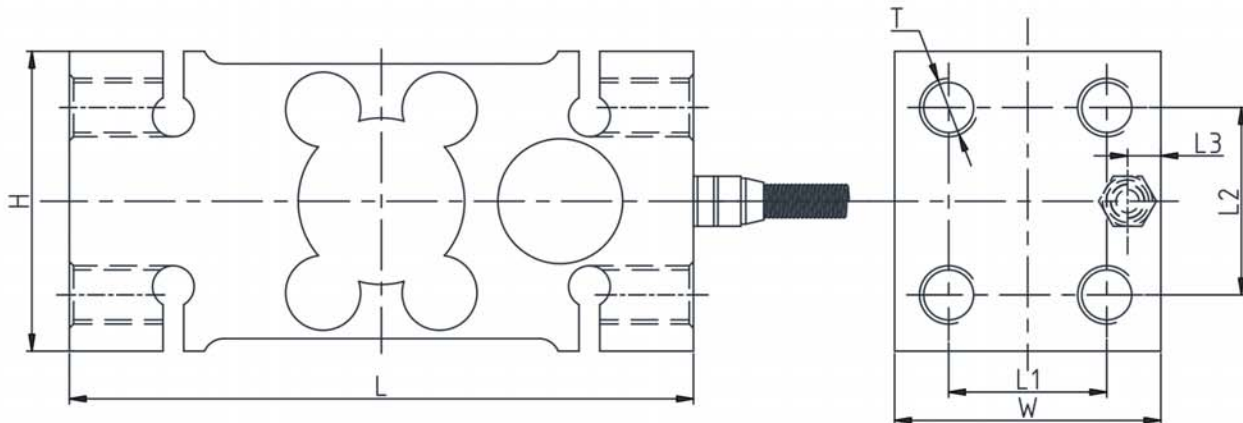
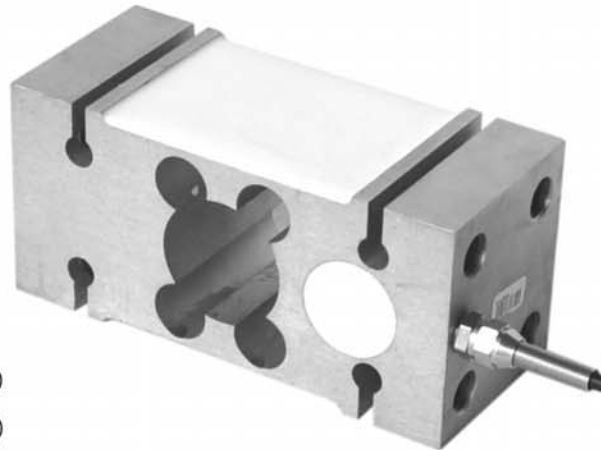
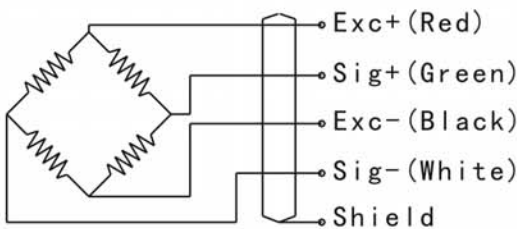
- Capacity 50kg to 2t
- High load deflection resistance ability
- High precision
- Compact structure



APPLICATION:

- Platform scale
- Packing scale

Wiring Diagram



Rated Capacity:	L	W	H	T	L1	L2	L3
50,100,150,200,250, 300,500,750kg,1t,2t	150	64	72	M14	38	45	8

SPECIFICATIONS

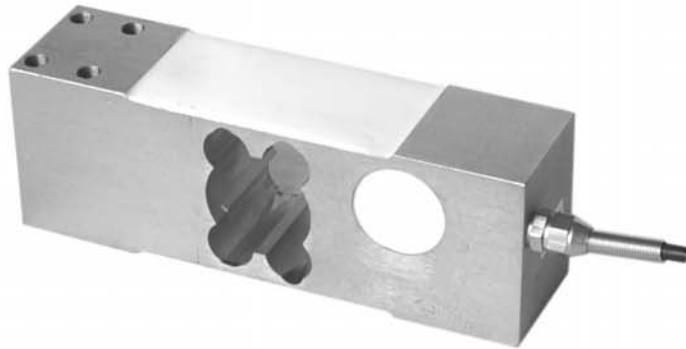
Rated capacity:	50kg to 1.5ton	Recommended Excitation:	10V DC
Rated output:	2.0 ± 0.2mv/v	Maximum Excitation:	15V DC
Combined error:	OIML C3	Environment protection:	IP65
Creep error(30minutes):	± 166ppm	Input impedance:	382 ± 15 Ω
Zero balance:	± 3% Emax	Output impedance:	350 ± 3 Ω
Temperature effect on zero:	± 17.5ppm/°C	Insulation resistance at 50V DC:	≥ 5000M Ω
Temperature effect on output:	± 17.5ppm/°C(+20°C~+40°C) , ± 11.67ppm/°C(-10°C~+20°C)	Material:	nickel-plated alloy steel
Operating temperature range:	-20 to +50°C	cable length:	3meter, diameter 5mm
Maximum safe overload:	150% OF R.C	Installation torque,	commended 35N.m
Ultimate safe overload:	300% OF R.C	Max.platform size:	800x800mm

FEATURES:

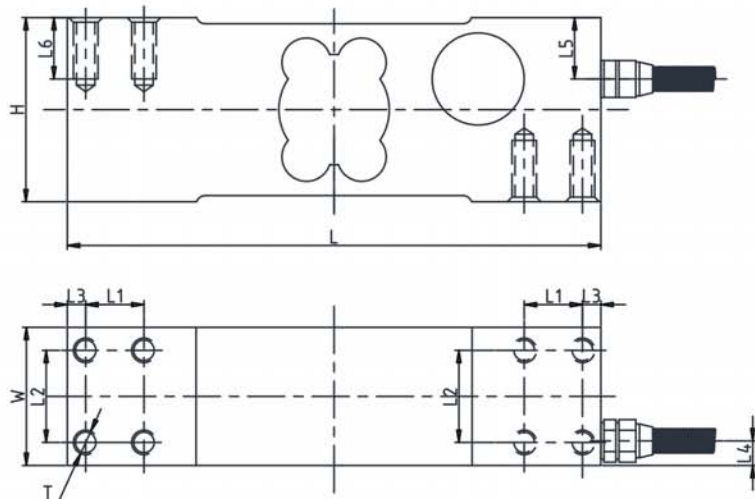
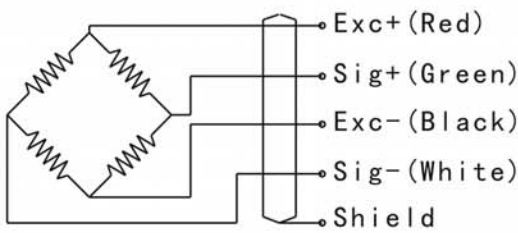
- Capacity 40kg to 800kg
- High load deflection resistance ability
- High precision
- Stainless steel material

APPLICATION:

- Silo scale



Wiring Diagram



Rated Capacity:	L	W	H	T	L1	L2	L3	L4	L5	L6
40,45,50,60,65,100,150, 200,250,300,500,800kg	174	45	60	M8	19	30	8	6	20	20

SPECIFICATIONS

Rated capacity:	50kg to 1.5ton	Recommended Excitation:	10V DC
Rated output:	2.0 ± 0.2mv/v	Maximum Excitation:	15V DC
Combined error:	OIML C3	Environment protection:	IP65
Creep error(30minutes):	± 166ppm	Input impedance:	404 ± 15 Ω
Zero balance:	± 3% Emax	Output impedance:	352 ± 3 Ω
Temperature effect on zero:	± 17.5ppm/°C	Insulation resistance at 50V DC:	≥ 5000M Ω
Temperature effect on output:	± 17.5ppm/°C(+20°C~+40°C) , ± 11.67ppm/°C(-10°C~+20°C)	Material:	nickel-plated alloy steel
Operating temperature range:	-20 to +50°C	cable length:	3meter, diameter 5mm
Maximum safe overload:	150% OF R.C	Installation torque,	commended 25N.m
Ultimate safe overload:	300% OF R.C	Max.platform size:	500x500mm

FEATURES:

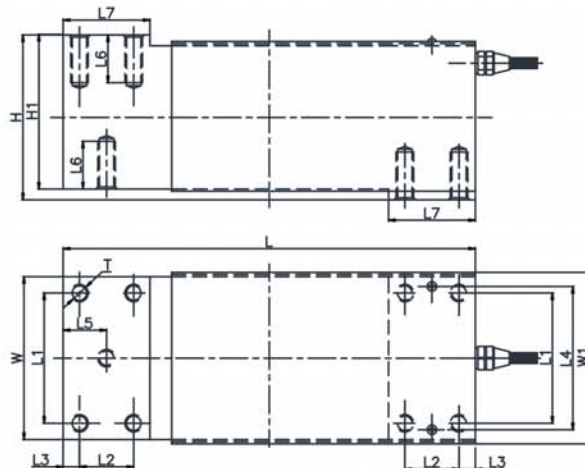
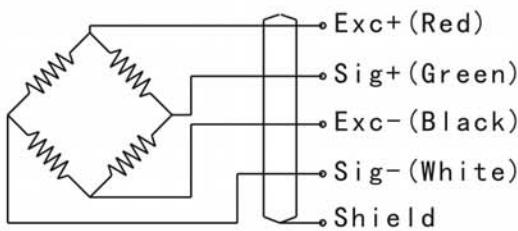
- Capacity 50kg to 1000kg
- Compact structure
- High precision
- Stainless steel material

APPLICATION:

- Platform scale
- Packing scale
- Blending scale



Wiring Diagram



Rated Capacity:	L	W	W1	H	H1	T	L1	L2	L3	L4	L5	L6	L7
50,75,100,120,200, 250,300,500,1000kg	190	75	79	76	71	M8	60	25	7.5	66	20	22	40

SPECIFICATIONS

Rated capacity:	40kg to 800kg	Operating temperature range:	-30 to +70°C
Rated output:	2.0 ± 0.2mv/v	Maximum safe overload;	150% OF R.C
Combined error:	± 0.03% F.S	Ultimate safe overload;	200% OF R.C
Non-repeatability:	± 0.03% F.S	Recommended Excitation;	10 to 12V DC
Non-linearity:	± 0.03% F.S	Maximum Excitation;	15V DC
Hysteresis error:	± 0.03% F.S	Environment protection:	IP65
Zero balance:	± 1% F.S	Input impedance:	400 ± 20 Ω
Creep error(30minutes):	± 0.03% F.S	Output impedance:	352 ± 3 Ω
Temperature effect on zero:	± 0.02% F.S	Insulation resistance at 50V DC:	≥ 5000M Ω
Temperature effect on output:	± 0.02% F.S	Material:	nickel-plated alloy steel
Compensated temperature range:	-10 to +40°C	cable length:	3meter, diameter 5mm

FEATURES:

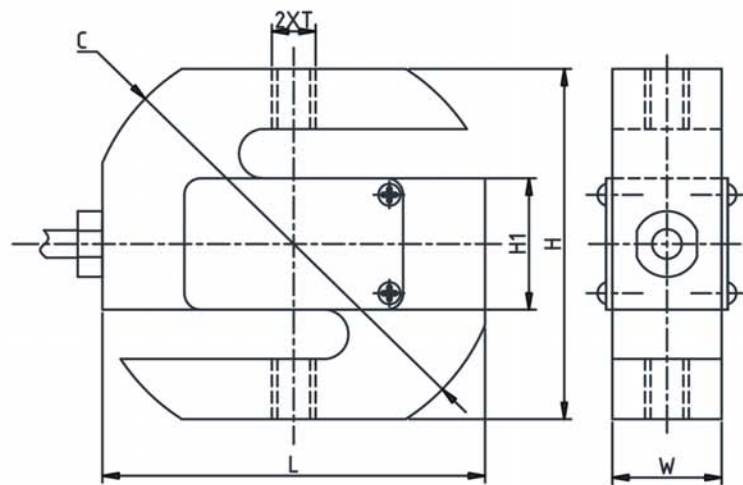
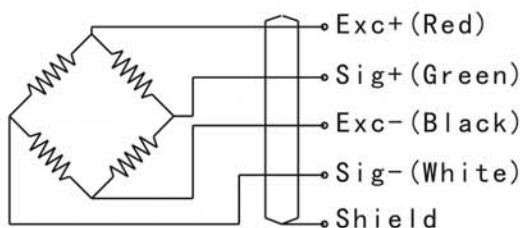
- Capacity: 50kg to 5t
- Threaded connection
- High accuracy
- Material: Stainless steel or Alloy steel

APPLICATION:

- Testing machine
- Crane scale
- Blending scale
- Packing scale
- Force testing devices



Wiring Diagram



Rated Capacity:	L	W	H	H1	T	C
20kg~150kg	70	12	64	24	M8	Φ74
200kg~500kg	70	20	64	24	M12	Φ74
700kg~1t	70	25	64	24	M12	Φ74
1.2t~5t	88	32	90	38	M20	Φ94
7.5t	88	40	90	38	M24	Φ94
10t	110	50	110	46	M30X2	Φ118

SPECIFICATIONS

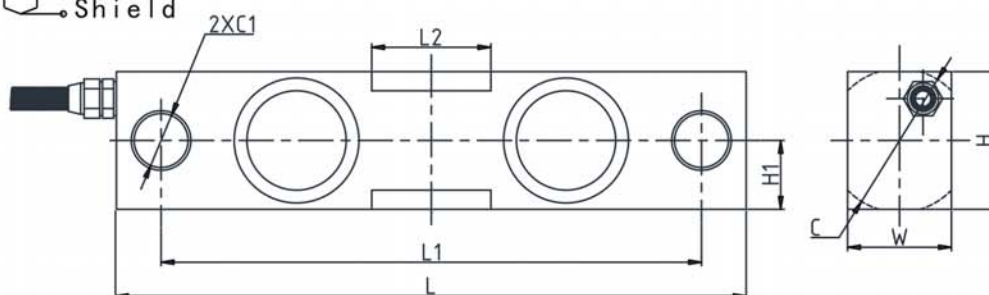
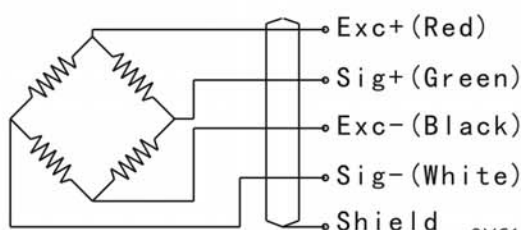
Rated capacity:	20kg to 10ton	Ultimate safe overload;	180% OF R.C
Rated output:	2.0 ± 0.003mv/v	Recommended Excitation;	10 to 12V DC
Combined error:	± 0.03% F.S	Maximum Excitation;	15V DC
Non-repeatability:	± 0.02% F.S	Environment protection:	IP65(20kg~1t); IP67(1.2t~10t)
Non-linearity:	± 0.02% F.S	Input impedance:	400 ± 20 Ω
Hysteresis error:	± 0.02% F.S	Output impedance:	352 ± 3 Ω
Zero balance:	± 1% F.S	Insulation resistance at 50V DC:	≥ 5000M Ω
Creep error(30minutes):	± 0.02% F.S	Material:	nickel-plated alloy steel
Temperature effect on zero:	± 0.02% F.S	Cable length:	2.6meter, diameter 5mm(20kg~1t); 3meter, diameter 6mm(1.2~7.5t); 3meter, diameter 5mm(10t)
Temperature effect on output:	± 0.02% F.S		
Compensated temperature range:	-10 to +40°C		
Operating temperature range:	-30 to +70°C		
Maximum safe overload;	150% OF R.C		

FEATURES:

- Capacity 2klb to 75klb
- Stainless and alloy optional
- Material: Stainless steel or Alloy steel


APPLICATION:

- Tank, hopper, silo scale
- Truck scale
- Floor scale
- Warehouse scale


Wiring Diagram


Rated Capacity:	L	W	H	H1	L1	L2	C	C1
2~5klb	190.5	31	31	14.2	159.1	30.5	Φ31.5	Φ12.7
10~35klb	222	36.6	48.5	H/2	190.5	42	Φ50.6	Φ19
50~75klb	342.9	62	74.7	H/2	292.1	82.6	Φ75.9	Φ33.5

SPECIFICATIONS

Rated capacity:	2klb to 75klb	Maximum safe overload;	150% OF R.C
Rated output:	3.0±0.003mv/v	Ultimate safe overload;	180% OF R.C
Combined error:	± 0.05% F.S	Recommended Excitation;	10 to 12V DC
Non-repeatability:	± 0.02% F.S	Maximum Excitation;	15V DC
Non-linearity:	± 0.02% F.S	Environment protection:	IP68
Hysteresis error:	± 0.02% F.S	Input impedance:	750 ± 10 Ω
Zero balance:	± 1% F.S	Output impedance:	702 ± 5 Ω
Creep error(30minutes):	± 0.02% F.S	Insulation resistance at 50V DC:	≥5000MΩ
Temperature effect on zero:	± 0.02% F.S	Material:	nickel-plated alloy steel
Temperature effect on output:	± 0.02% F.S	Cable length:	6meter, diameter 5mm(2~5klb); 10meter, diameter 6mm(10~35klb); 16meter, diameter 6mm(50~75klb);
Compensated temperature range:	-10 to +40°C		
Operating temperature range:	-30 to +70°C		

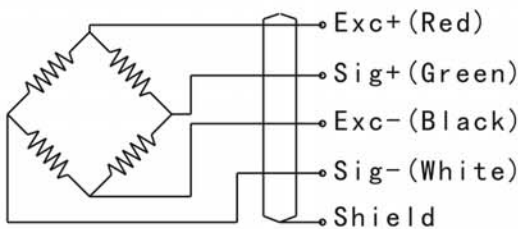
FEATURES:

- Capacity 50,100,150,200t
- Low profile
- Strong overload capability
- Stainless and alloy optional
- Material: Stainless steel or Alloy steel



APPLICATION:

Wiring Diagram



Rated Capacity:	L	L1	L2	W	W1	H	H1	H2	H3	H4	C1	C2	D1	D2	D3	D4	T
50t	450	80	340	120	110	130	105	25.5	32	30	Φ26	Φ38	398	40	68	75	M20
100t	500	90	370	140	130	143	118	28.5	38	32	Φ30	Φ44	444	44	80	90	M24
150t	560	90	410	160	150	158	133	32	38	32	Φ33	Φ48	500	44	94	102	M24
200t	620	90	450	180	160	175	150	32	40	40	Φ33	Φ48	560	44	114	110	M24

SPECIFICATIONS

Rated capacity:	50,100,150,200t	Maximum safe overload;	120% OF R.C
Rated output:	2.0 ± 0.003mv/v	Ultimate safe overload;	200% OF R.C
Combined error:	± 0.1% F.S	Recommended Excitation;	10 to 12V DC
Non-repeatability:	± 0.03% F.S	Maximum Excitation;	15V DC
Zero balance:	± 1% F.S	Environment protection:	IP66
Creep error(30minutes):	± 0.05% F.S	Input impedance:	750 ± 10 Ω
Temperature effect on zero:	± 0.03% F.S	Output impedance:	702 ± 5 Ω
Temperature effect on output:	± 0.05% F.S	Insulation resistance at 50V DC:	≥ 5000M Ω
Compensated temperature range:	-10 to +40°C	Material:	nickel-plated alloy steel
Operating temperature range:	-30 to +70°C	Cable length:	16meter, diameter 5mm

FEATURES:

- Capacities: 5kg to 500kg
- Hermetically-sealed Nickel-plated alloy or stainless steel construction
- High side load tolerance
- Protection class IP 68
- OIML C3 approval

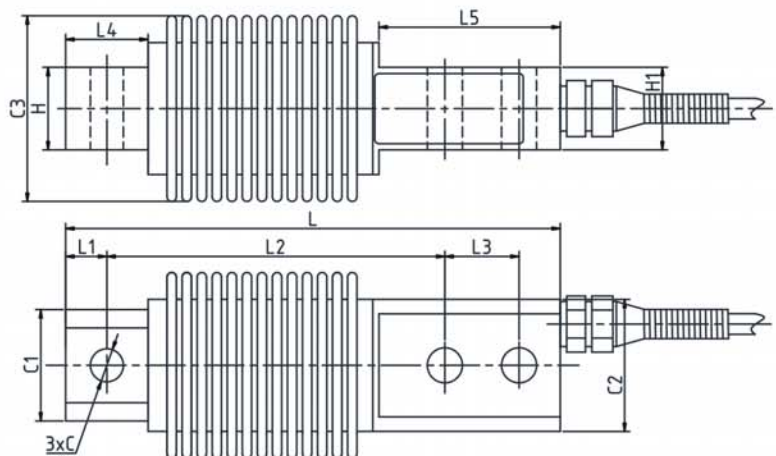
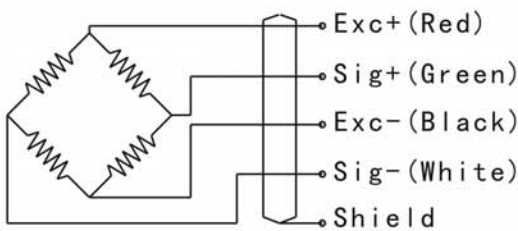


APPLICATION:

- Platform scale (multiple load cells)
- Silo/hopper/tank weighing
- Packing machines
- Dosing/filling
- Belt scales/conveyor scales



Wiring Diagram



Rated Capacity:	L	L1	L2	L3	L4	L5	H	H1	C	C1	C2	C3
5~250	120	10	82	18	20	44	20	20	Φ8.2	Φ25.5	Φ32	Φ45
300~500	120	10	82	18	20	44	20	20	Φ10.2	Φ25.5	Φ32	Φ45

SPECIFICATIONS

Rated capacity:	5kg to 500kg	Operating temperature range:	-30 to +70°C
Rated output:	2.0 ± 0.002mv/v	Maximum safe overload;	120% OF R.C
Combined error:	± 0.02% F.S	Ultimate safe overload;	150% OF R.C
Non-repeatability:	± 0.02% F.S	Recommended Excitation;	10 to 12V DC
Non-linearity:	± 0.02% F.S	Maximum Excitation;	15V DC
Hysteresis error:	± 0.02% F.S	Environment protection:	IP68
Zero balance:	± 1% F.S	Input impedance:	400 ± 20 Ω
Creep error(30minutes):	± 0.02% F.S	Output impedance:	352 ± 3 Ω
Temperature effect on zero:	± 0.02% F.S	Insulation resistance at 50V DC:	≥ 5000MΩ
Temperature effect on output:	± 0.02% F.S	Material:	nickel-plated alloy steel
Compensated temperature range:	-10 to +40°C	Cable length:	3meter, diameter 5mm

Aluminium single-point

FEATURES:

- capacities 100kg to 2t
- Anodized aluminum alloy
- platform size:48"x48"/120*120cm
- Side mount construction
- Protection class IP65
- OIML C3 approval

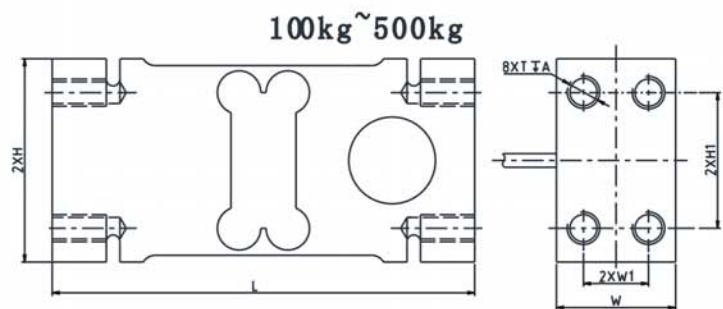
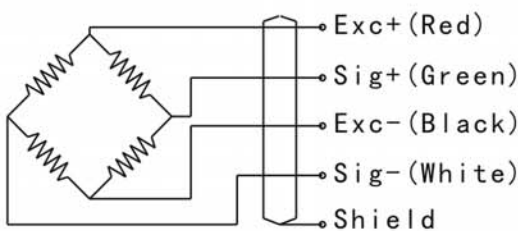


APPLICATION:

- Very large platform scales
- Packaging machines
- Hanging scales
- Check weighing/Dosing/filling
- Belt scales/conveyor scales



Wiring Diagram



Rated Capacity:	L	H	H1	W	W1	T	A
100,200kg	156	75	50	44	24	M12	20
300,500kg	146	94	70	59	36	M12	20
750kg,1,2t	176	124	95	75	46	M16	28

SPECIFICATIONS

Rated capacity:	100kg to 2t	Operating temperature range:	-20°C~+50°C
Rated output:	2.0 ± 0.2mV/V	Maximum safe overload:	150% Emax
Combined error:	OIML C3	Ultimate safe overload:	300% Emax
Non-repeatability:	± 0.01% F.S	Recommended Excitation:	10V DC
Non-linearity:	± 0.0166% F.S	Maximum Excitation:	15V DC
Hysteresis error:	± 0.0166% F.S	Environment protection:	IP65
Zero balance:	± 3% Emax	Input impedance:	404 ± 15 Ω
Creep error(30minutes):	± 0.0166% F.S	Output impedance:	350 ± 3 Ω
Temperature effect on zero:	± 0.0175% F.S/10°C	Insulation resistance at 50V DC:	≥ 2000M Ω
Temperature effect on output:	+20°C~+40°C, ± 0.0175% F.S/10°C	Material:	Aluminium
	-10°C~+20°C, ± 0.0117% F.S/10°C	Cable length:	3meter, diameter Φ5mm
	-10°C~+40°C	Max.platform size:	600 × 800mm(100kg~500kg), 1200 × 1200mm(750kg~2t)
Compensated temperature range:	-10°C~+40°C	Installation torque,recommended:	130N.m(100kg~500kg), 165N.m(750kg~2t)

FEATURES:

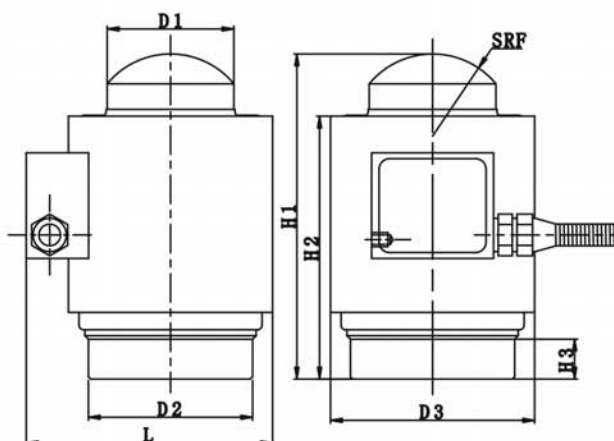
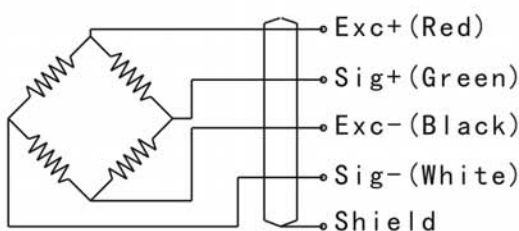
- capacities 2t to 50t
- low self-height and easy installation
- Resistant against vibrations
- high accuracy and excellent durability
- protection class IP68
- OIML C3 approval

APPLICATION:

- truck scales
- silo/hopper scales
- railway scales



Wiring Diagram



Rated Capacity:	D1	D2	D3	F	H1	H2	H3	L
2,3,5	Φ24	Φ70	Φ88	15	138.5	120	17	107
10,15,20,25,30,40,50	Φ54	Φ70	Φ88	35	138.5	120	17	107

SPECIFICATIONS

Rated capacity:	2ton to 50ton	Maximum safe overload;	120% OF R.C
Rated output:	1.0 ± 0.002mv/v	Ultimate safe overload;	150% OF R.C
Combined error:	± 0.05% F.S	Recommended Excitation;	10 to 12V DC
Non-repeatability:	± 0.02% F.S	Maximum Excitation;	15V DC
Non-linearity:	± 0.05% F.S	Environment protection:	IP67
Hysteresis error:	± 0.03% F.S	Input impedance:	650 ± 10Ω
Zero balance:	± 1% F.S	Output impedance:	610 ± 3Ω
Creep error(30minutes):	± 0.02% F.S	Insulation resistance at 50V DC:	≥ 5000MΩ
Temperature effect on zero:	± 0.02% F.S	Material:	nickel-plated alloy steel
Temperature effect on output:	± 0.02% F.S	Cable length:	14meter, diameter 6mm
Compensated temperature range:	-10 to +40°C		
Operating temperature range:	-30 to +70°C		

FEATURES:

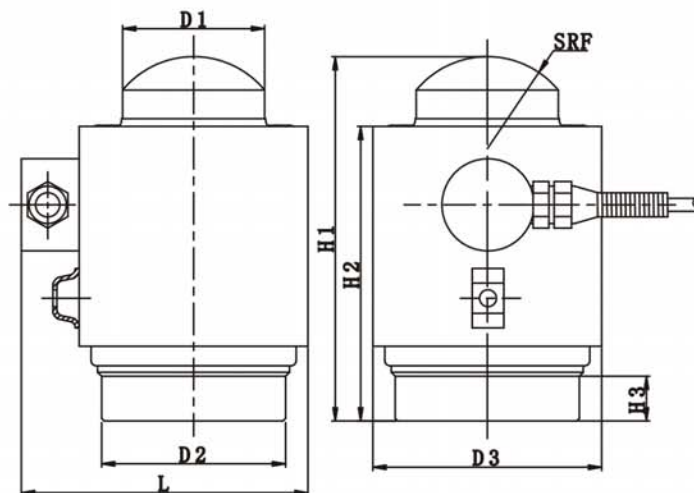
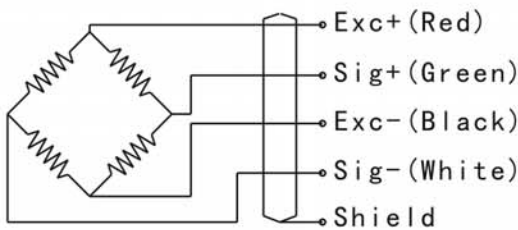
- capacities 2t to 50t
- low self-height and easy installation
- Resistant against vibrations
- high accuracy and excellent durability
- protection class IP68

APPLICATION:

- truck scales
- silo/hopper scales
- railway scales



Wiring Diagram



Rated Capacity:	D1	D2	D3	F	H1	H2	H3	L
ton/mm								
2,3,5	Φ24	Φ70	Φ87	15	138.5	120	17	110
10,15,20,25,30,40,50	Φ54	Φ70	Φ87	35	138.5	120	17	110

SPECIFICATIONS

Rated capacity:	2ton to 50ton	Operating temperature range:	-30 to +70°C
Rated output:	1.0 ± 0.002mv/v	Maximum safe overload;	120% OF R.C
Combined error:	± 0.05% F.S	Ultimate safe overload;	150% OF R.C
Non-repeatability:	± 0.03% F.S	Recommended Excitation;	10 to 12V DC
Non-linearity:	± 0.05% F.S	Maximum Excitation;	15V DC
Hysteresis error:	± 0.03% F.S	Environment protection:	IP67
Zero balance:	± 1% F.S	Input impedance:	1080 ± 20 Ω
Creep error(30minutes):	± 0.02% F.S	Output impedance:	1006 ± 6 Ω
Temperature effect on zero:	± 0.03% F.S	Insulation resistance at 50V DC:	≥ 5000M Ω
Temperature effect on output:	± 0.03% F.S	Material:	alloy steel
Compensated temperature range:	-10 to +40°C	Cable length:	14meter, diameter 5mm

Single-ended shear beam

FEATURES:

- Capacity: 300kg to 25t
- OIML Approved
- Material: Alloy steel or Stainless steel

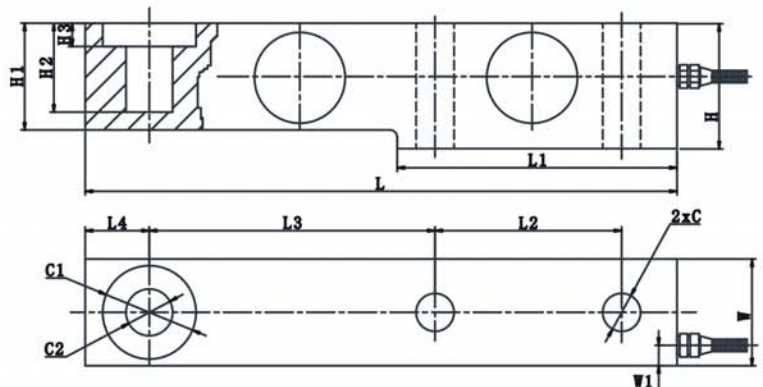
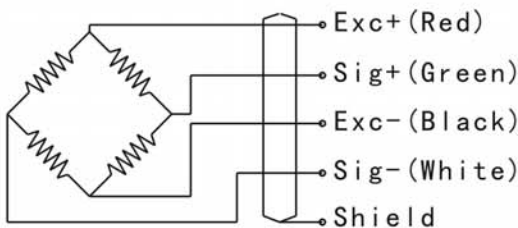


APPLICATION:

- Truck scale
- Platform scale



Wiring Diagram



Rated Capacity:	L	L1	L2	L3	L4	H	H1	H2	H3	C	C1	C2	W	W1
300kg~3t	203	95	64	98	22	43	36.6	30.5	8	Φ13	Φ32	Φ16	7	36.6
5t~8t	235	110	66	124	22	52	48	30	12	Φ21	Φ38	Φ22	7	48
10t	279	133	82	140	32	67	60	20	8.5	Φ28	Φ48	Φ32	60	8.5
15t~25t	318	153	89	159	38	82.5	70	24	9.5	Φ34	Φ54	Φ38	70	9.5

SPECIFICATIONS

Rated capacity:	300kg to 25ton	Ultimate overload;	250% OF R.C;
Rated output:	2.0 ± 0.002mv/v	Recommended Excitation;	200% OF R.C (20t~25t)
Total error:	± 0.03% F.S	Maximum Excitation;	10 to 12V DC
Repeatability:	± 0.02% F.S	Environmental protection:	15V DC
Non-linearity:	± 0.03% F.S	Input impedance:	IP67 (300kg~500kg) ; IP68
Hysteresis error:	± 0.03% F.S	Output impedance:	400 ± 20 Ω
Zero balance:	± 1% F.S	Insulation resistance at 50V DC:	352 ± 3 Ω
Creep error(30minutes):	± 0.02% F.S	Material:	≥ 5000MΩ
Temperature effect on zero:	± 0.02% F.S	Cable length:	nickel-plated alloy steel
Temperature effect on output:	± 0.02% F.S		2.6meter (300kg~2t) ,
Compensated temperature range:	-10 to +40℃		3.5meter (3t) ,
Operating temperature range:	-30 to +70℃		5.2meter (5t~8t) ,
Maximum safe overload;	150% OF R.C;		7meter (10t) ,
	120% OF R.C (20t~25t)		12meter (15t~25t)
			diameter 6mm

Single-ended shear beam

FEATURES:

- Capacity: 1t to 5t
- Material: Stainless steel or Alloy steel

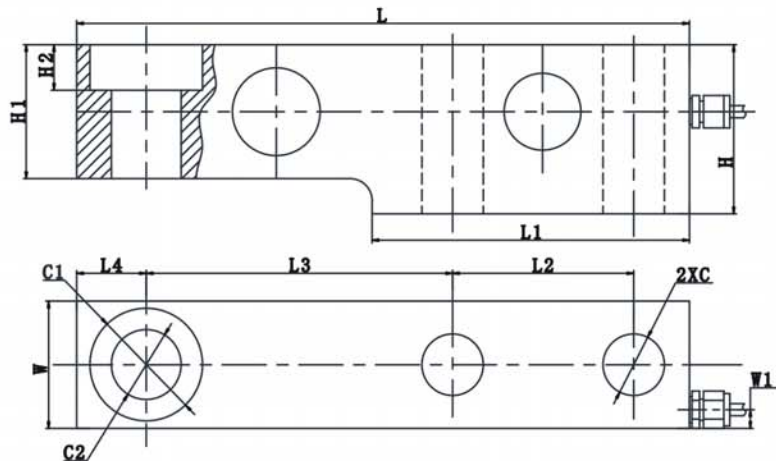
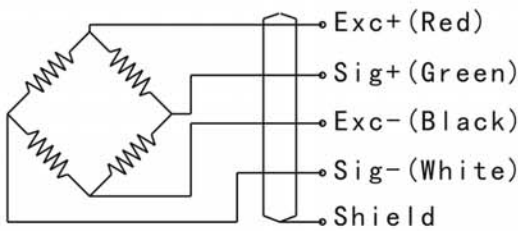


APPLICATION:

- Truck scale
- Platform scale



Wiring Diagram



Rated Capacity:	L	L1	L2	L3	L4	H	H1	H2	C	C1	C2	W	W1
1t	203.2	95	63.5	98.4	22.2	47.6	36.5	11.9	Φ13	Φ30.2	Φ17.5	36.5	7
5t	235	111	66.7	123.8	23.9	50	47.6	15.8	Φ22	Φ25.5	Φ41.3	47.5	7

SPECIFICATIONS

Rated capacity:	1t to 5ton	Ultimate overload;	250% OF R.C
Rated output:	2.0 ± 0.002mv/v	Recommended Excitation;	10 to 12V DC
Total error:	± 0.05% F.S	Maximum Excitation;	15V DC
Repeatability:	± 0.03% F.S	Environmental protection:	IP67 (300kg-500kg) ; IP68
Non-linearity:	± 0.05% F.S	Input impedance:	400 ± 20Ω
Hysteresis error:	± 0.05% F.S	Output impedance:	352 ± 3Ω
Zero balance:	± 1% F.S	Insulation resistance at 50V DC:	≥ 5000MΩ
Creep error(30minutes):	± 0.02% F.S	Material:	nickel-plated alloy steel
Temperature effect on zero:	± 0.02% F.S	Cable length:	6meter (1t) ,
Temperature effect on output:	± 0.02% F.S		5.2meter (5t)
Compensated temperature range:	-10 to +40°C		diameter 6mm
Operating temperature range:	-30 to +70°C		3meter,
Maximum safe overload;	150% OF R.C		diameter 5mm

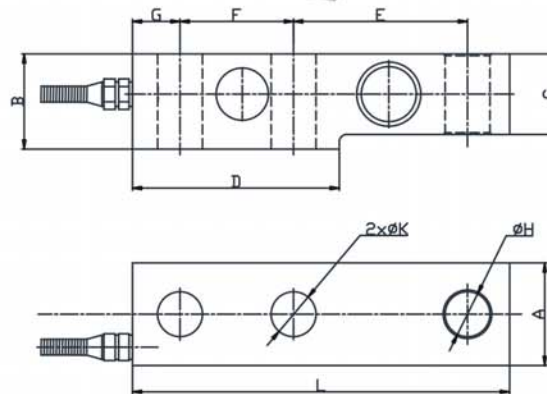
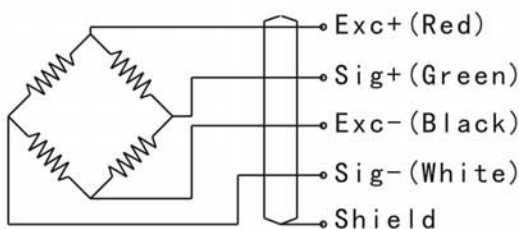
Single-ended shear beam

FEATURES:

- Capacity: 0.1t to 12t
- Through-hole bear load
- Low profile
- Material: Alloy steel
And Stainless steel



Wiring Diagram



Rated Capacity:	L	A	B	C	D	E	F	G	H	K
0.1、0.15、0.2、0.3	135	26	36	32	58	75	25	17	11.5	11.5
0.5、1、2	135	30	38	34	58	75	25	17	13.5	13.5
3、5	170	38	48	39	79	85	50	15	18	18.5
6	206	44	48	39	110	95	62	26	24.5	24.5
9	206	50	50	44	113	95	62	26	24.5	24.5
12	263	60	60	52	143	118	90	25	24.5	24.5

SPECIFICATIONS

Rated capacity:	0.1ton to 12ton	Operating temperature range:	-30 to +70°C
Rated output:	2.0 ± 0.002mv/v	Maximum safe overload:	150% OF R.C
Total error:	± 0.03% F.S (0.1t~2t) ± 0.05% F.S (3t~6t) ± 0.1% F.S (9t~12t)	Ultimate overload:	250% OF R.C
Repeatability:	± 0.05% F.S	Recommended Excitation;	10 to 12V DC
Non-linearity:	± 0.05% F.S(0.1t~6t) ± 0.1% F.S(6t~12t)	Maximum Excitation;	15V DC
Hysteresis error:	± 0.05% F.S(0.1t~6t) ± 0.1% F.S(6t~12t)	Environmental protection:	IP66 (0.1t~0.5t) 、 IP67 (1t~12t)
Zero balance:	± 1% F.S	Input impedance:	400 ± 20Ω
Creep error(30minutes):	± 0.05% F.S	Output impedance:	352 ± 3Ω
Temperature effect on zero:	± 0.03% F.S	Insulation resistance at 50V DC:	≥ 5000MΩ
Temperature effect on output:	± 0.03% F.S	Material:	nickel-plated alloy steel
Compensated temperature range:	-10 to +40°C	Cable length:	3meter, diameter 5mm(0.1t~0.5t) 5meter, diameter 5mm(1t~5t) 10meter, diameter 6mm(6t~12t)

FEATURES:

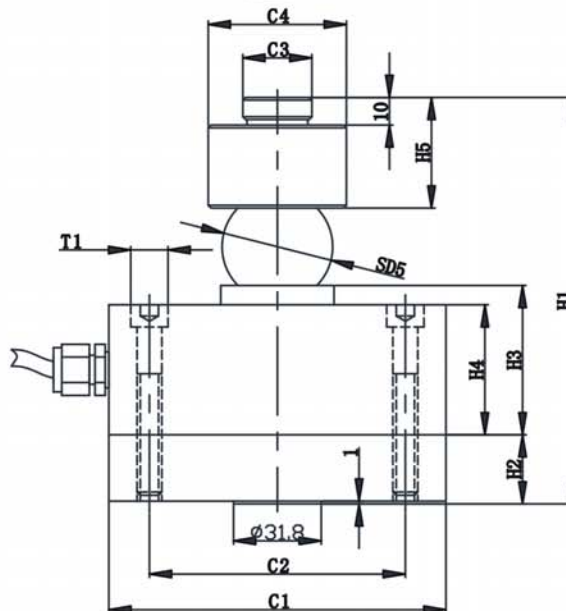
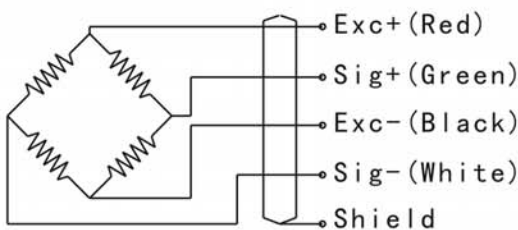
- Capacities: 2.5,5,10,25,50,60,100klb
- Low-profile compression disk
- small deflection, compact construction
Is suitable for withstanding extraneous loads
- Shear web design provides excellent performance
- High precision accuracy
- Protection to IP67
- Alloy steel or Stainless steel



APPLICATION:

- Warehouse scale
- Testing equipment
- Axle-load scale

Wiring Diagram



Rated Capacity:	C1	C2	C3	C4	H1	H2	H3	H4	H5	SD5	T1
2.5,5,10klb	104.6	86	21.5	37	100	20.2	44.3	34.8	25	19.5	8xM6
25,50klb	122	101.7	25	50	147	25	54	47	40	40	8xM8
60klb	122	101.7	25	50	145.4	25	54	47	40	40	8xM8
100klb	138	112	25	50	155	30	57	51	40	40	8xM10

SPECIFICATIONS

Rated capacity:	2.5,5,10,25,50,60,100klb	Maximum safe overload;	120% OF R.C
Rated output:	4.0 ± 0.006mv/v	Ultimate safe overload;	150% OF R.C
Combined error:	± 0.05% F.S; ± 0.1% F.S(100klb)	Recommended Excitation;	10 to 12V DC
Non-repeatability:	± 0.03% F.S	Maximum Excitation;	15V DC
Zero balance:	± 1% F.S	Environment protection:	IP67
Creep error(30minutes):	± 0.03% F.S	Input impedance:	400 ± 20 Ω
Temperature effect on zero:	± 0.03% F.S	Output impedance:	352 ± 3 Ω
Temperature effect on output:	± 0.03% F.S	Insulation resistance at 50V DC:	≥ 5000M Ω
Compensated temperature range:	-10 to +40°C	Material:	nickel-plated alloy steel
Operating temperature range:	-30 to +70°C	Cable length:	12meter, diameter 6mm



FEATURES:

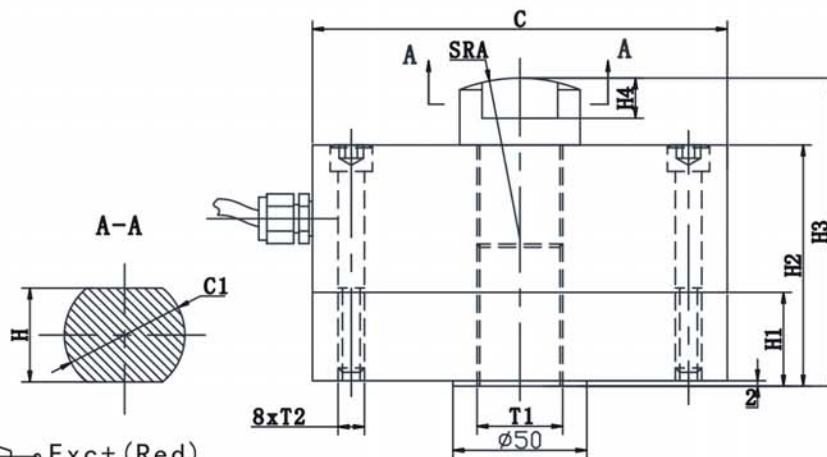
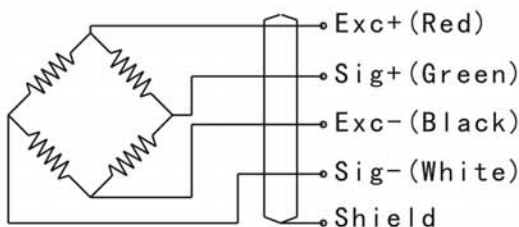
- Capacities: 1,2,3,5,10,20t
- Low-profile compression disk
- small deflection, compact construction is suitable for withstanding extraneous loads
- Shear web design provides excellent performance
- High precision accuracy
- Protection to IP67
- Alloy steel or Stainless steel



APPLICATION:

- Warehouse scale
- Testing equipment
- Axle-load scale

Wiring Diagram



Rated Capacity:	C	C1	H	H1	H2	H3	H4	T1	T2	SRA
1,2,3T	Φ105	Φ25	20	25	70	85	10	M14X2	M6	40
5T	Φ120	Φ30	25	30	80	95	10	M20X1.5	M8	45
10,20T	Φ155	Φ45	35	35	90	115	15	M32X2	M10	60

SPECIFICATIONS

Rated capacity:	1,2,3,5,10,20t	Maximum safe overload;	150% OF R.C
Rated output:	2.0 ± 0.006mv/v	Ultimate safe overload;	200% OF R.C
Combined error:	± 0.05% F.S; ± 0.1% F.S(10t~20t)	Recommended Excitation;	10 to 12V DC
Non-repeatability:	± 0.03% F.S	Maximum Excitation;	15V DC
Zero balance:	± 1% F.S	Environment protection:	IP67
Creep error(30minutes):	± 0.03% F.S	Input impedance:	400 ± 20 Ω
Temperature effect on zero:	± 0.03% F.S	Output impedance:	352 ± 3 Ω
Temperature effect on output:	± 0.03% F.S	Insulation resistance at 50V DC:	≥ 5000M Ω
Compensated temperature range:	-10 to +40°C	Material:	nickel-plated alloy steel
Operating temperature range:	-30 to +70°C	Cable length:	12meter, diameter 6mm

FEATURES:

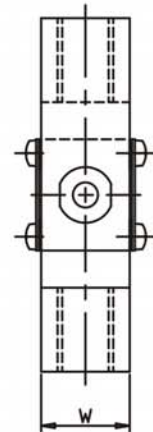
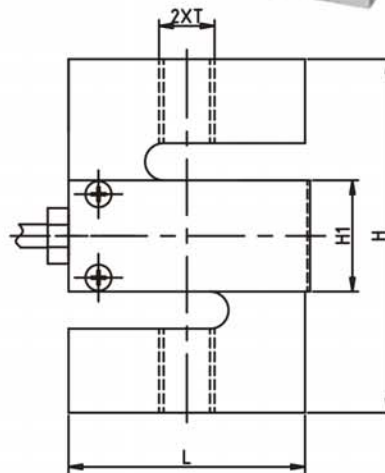
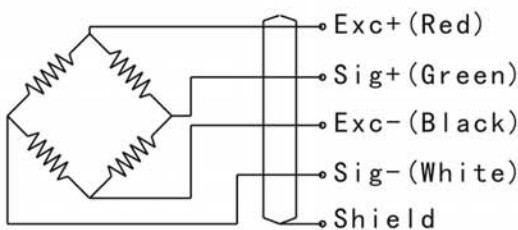
- Capacities: 50kg to 5t
- suitable for both tension and compression applications
- High accuracy
- OIML C3 approval
- Protection to IP65(50kg-1t), IP68(1.2t-5t)
- Alloy steel or Stainless steel



APPLICATION:

- belt scale
- Crane scale
- Blending system
- Testing machine

Wiring Diagram



Rated Capacity:	L	H	H1	W	T
50kg~750kg	51	76.2	24	19.1	M12
1t	51	76.2	24	25.4	M12
1.2t~5t	76.2	100.4	38	38.1	M20X1.5

SPECIFICATIONS

Rated capacity:	50kg to 5ton	Operating temperature range:	-30 to +70°C
Rated output:	2.0 ± 0.003mv/v (DEE) ; 3.0 ± 0.003mv/v (DEF)	Maximum safe overload;	150% OF R.C
Combined error:	± 0.03% F.S	Ultimate safe overload;	180% OF R.C
Non-repeatability:	± 0.02% F.S	Recommended Excitation;	10 to 12V DC
Non-linearity:	± 0.02% F.S	Maximum Excitation;	15V DC
Hysteresis error:	± 0.02% F.S	Environment protection:	IP65(50kg~1t); IP68(1.2t~5t)
Zero balance:	± 1% F.S	Input impedance:	400 ± 20 Ω
Creep error(30minutes):	± 0.02% F.S	Output impedance:	352 ± 3 Ω
Temperature effect on zero:	± 0.02% F.S	Insulation resistance at 50V DC:	≥ 5000M Ω
Temperature effect on output:	± 0.02% F.S	Material:	nickel-plated alloy steel
Compensated temperature range:	-10 to +40°C	Cable length:	3meter, diameter 5mm

FEATURES:

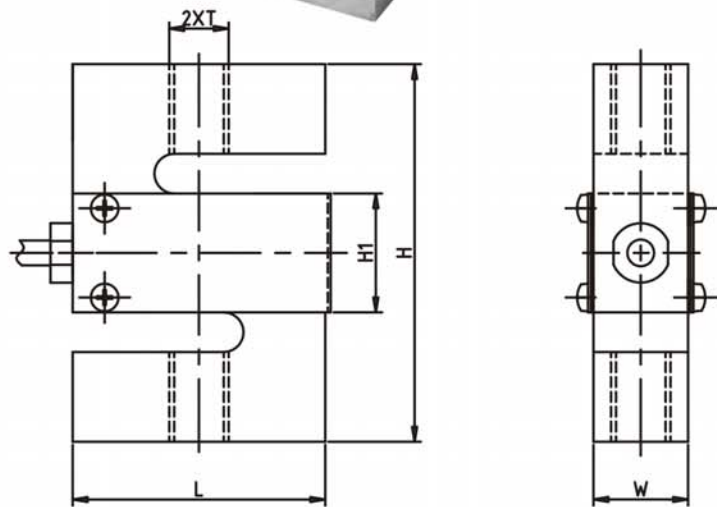
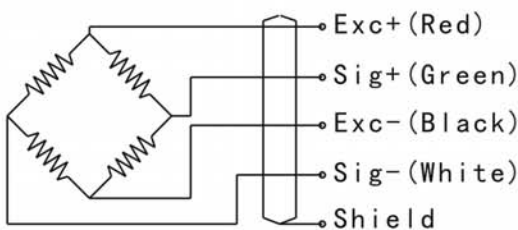
- Capacities: 50lb to 20klb
- S-beam type load cell with a compact and economical design
- Ideally suited for scale conversion and general-purpose weighing
- High accuracy
- Protection to IP65(50lb-3klb), IP68(5klb-20klb)
- Alloy steel or Stainless steel



APPLICATION:

- Testing machine
- Crane scale
- Packing machine

Wiring Diagram



Rated Capacity:	L	W	H	H1	T
50, 100, 150lb	51	12.4	63.5	24	1/4-28 UNF
200, 250, 300lb	51	12.4	76.2	24	3/8-24 UNF
500lb, 1klb, 1.5klb	51	19.1	76.2	24	1/2-24 UNF
2klb, 3klb	51	25.4	76.2	24	1/2-24 UNF
5klb, 7.5klb	76.2	25.4	107.9	38	3/4-16 UNF
10klb	88.9	25.4	120.7	38	3/4-16 UNF
15klb	127	51	178	56	1 1/4-12UNF
20klb	127	51	178	62	1 1/4-12UNF

SPECIFICATIONS

Rated capacity:	50lb to 20klb	Maximum safe overload;	150% OF R.C
Rated output:	3.0 ± 0.003mv/v	Ultimate safe overload;	180% OF R.C
Combined error:	± 0.03% F.S	Recommended Excitation;	10 to 12V DC
Non-repeatability:	± 0.02% F.S	Maximum Excitation;	15V DC
Non-linearity:	± 0.02% F.S	Environment protection:	IP65(50lb-3klb); IP68(5klb-20klb)
Hysteresis error:	± 0.02% F.S	Input impedance:	400 ± 20 Ω
Zero balance:	± 1% F.S	Output impedance:	352 ± 3 Ω
Creep error(30minutes):	± 0.02% F.S	Insulation resistance at 50V DC:	≥ 5000M Ω
Temperature effect on zero:	± 0.02% F.S	Material:	nickel-plated alloy steel
Temperature effect on output:	± 0.02% F.S	Cable length:	5meter, diameter 5mm
Compensated temperature range:	-10 to +40°C		
Operating temperature range:	-30 to +70°C		

FEATURES:

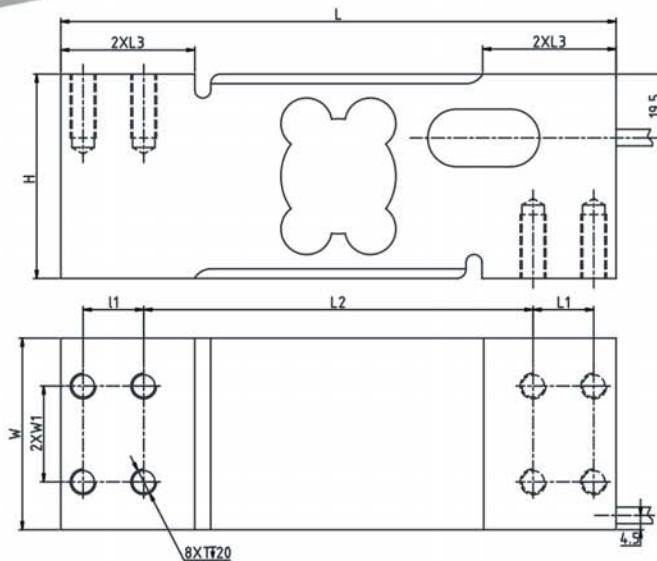
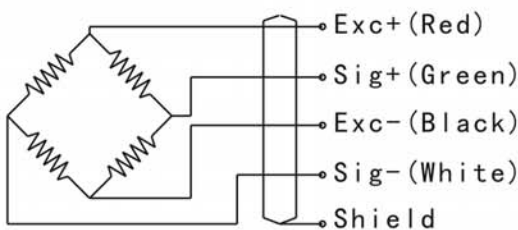
- Capacity 50kg to 1t
- Compact structure, easy installation
- OIML C3 Approval

APPLICATION:

- Platform scales



Wiring Diagram



Rated Capacity:	L	L1	L2	L3	H	W	W1	T
50,100,150,200,250, 300,500,750,800kg,1t	174	19	122	42	63.5	59.5	30	M8

SPECIFICATIONS

Rated capacity:	50kg to 1t	Operating temperature range:	-20°C~+50°C
Sensitivity:	2.0 ± 0.2mv/v	Maximum safe overload:	150%Emax
Accuracy class:	OIML C3	Ultimate overload:	300%Emax
Repeatability:	± 0.01% F.S	Recommended Excitation:	10V DC
Non-linearity:	± 0.0166% F.S	Maximum Excitation:	15V DC
Hysteresis error:	± 0.0166% F.S	Protection Class:	IP65
Zero balance:	± 3%Emax	Input impedance:	404 ± 15 Ω
Creep error(30minutes):	± 0.0166% F.S	Output impedance:	350 ± 3 Ω
TC ZERO:	± 0.0175%F.S/10°C	Insulation resistance at 50V DC:	≥ 2000M Ω
TC SPAN:	+20°C~+40°C, ± 0.0175%F.S/10°C	Material:	Aluminium
	-10°C~+20°C, ± 0.0117%F.S/10°C	Cable length:	1.8meter, diameter Φ5mm
Compensated temperature range:	-10°C~+40°C	Max.platform size:	460 × 600mm
		Recommended Installation torque:	25N.m(50kg~300kg), 30N.m(500kg~1t)

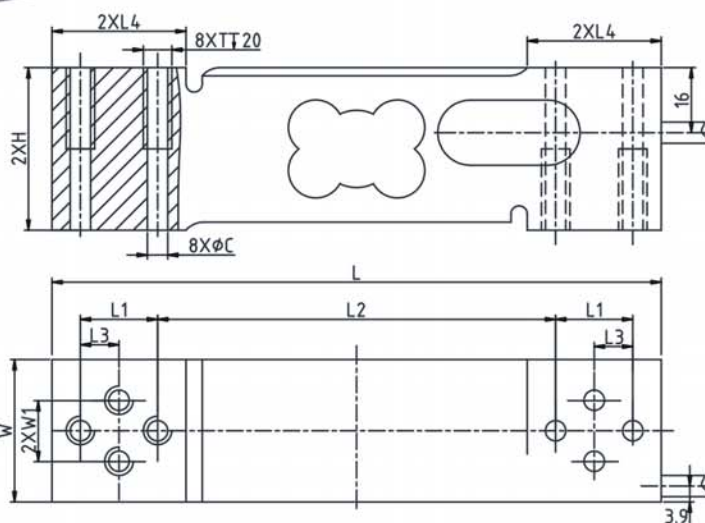
FEATURES:

- Capacity 50kg to 300kg
- Compact structure, easy installation
- OIML C3 Approval

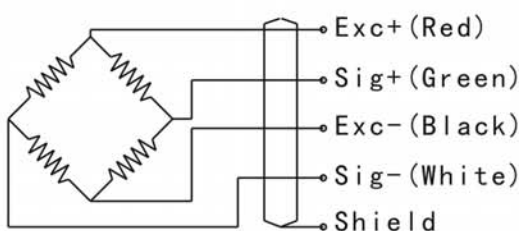


APPLICATION:

- Platform scales



Wiring Diagram



Rated Capacity:	L	L1	L2	L3	L4	H	W	W1	T	C
50,100,150, 200,250,300kg	150	19	98	9.5	33	40	35	15	5	M6

SPECIFICATIONS

Rated capacity:	50kg to 300kg	Operating temperature range:	-10°C~+50°C
Sensitivity:	2.0 ± 0.2mv/v	Maximum safe overload:	150%Emax
Accuracy class:	OIML C3	Ultimate overload:	300%Emax
Repeatability:	± 0.01% F.S	Recommended Excitation:	10V DC
Non-linearity:	± 0.0166% F.S	Maximum Excitation:	15V DC
Hysteresis error:	± 0.0166% F.S	Protection Class:	IP65
Zero balance:	± 3%Emax	Input impedance:	404 ± 15 Ω
Creep error(30minutes):	± 0.0166% F.S	Output impedance:	350 ± 3 Ω
TC Zero:	± 0.0175%F.S/10°C	Insulation resistance at 50V DC:	≥ 2000MΩ
TC Span:	+20°C~+40°C, ± 0.0175%F.S/10°C	Material:	Aluminium
	-10°C~+20°C, ± 0.0117%F.S/10°C	Cable length:	1.8meter, diameter Φ5mm
Compensated temperature range:	-10°C~+40°C	Max.platform size:	400 × 500mm
		Recommended Installation torque:	10N.m

FEATURES:

- Capacity 50kg to 1t
- Compact structure, easy installation
- OIML C3 Approval

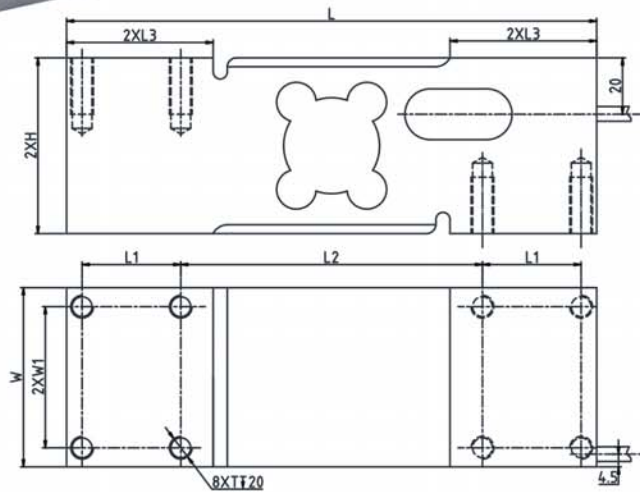
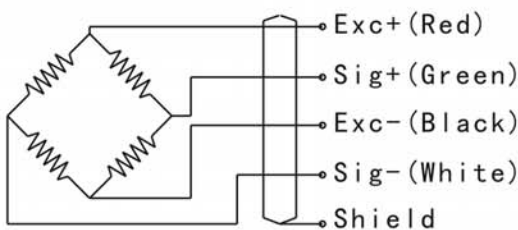


APPLICATION:

- Platform scales



Wiring Diagram



Rated Capacity:	L	L1	L2	L3	H	W	W1	T
50,100,150,200,250, 300,500,750,800kg,1t	188	35	107	52	61	63	50	M8

SPECIFICATIONS

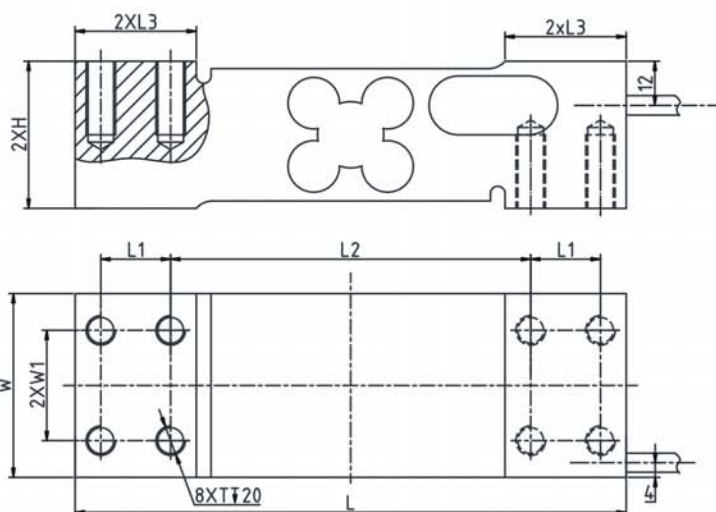
Rated capacity:	50kg to 1t	Maximum safe overload:	150%Emax
Sensitivity:	2.0 ± 0.2mv/v	Ultimate overload:	300%Emax
Accuracy Class:	OIML C3	Recommended Excitation:	10V DC
Repeatability:	± 0.01% F.S	Maximum Excitation:	15V DC
Non-linearity:	± 0.0166% F.S	Protection Class:	IP65
Hysteresis error:	± 0.0166% F.S	Input impedance:	404 ± 15 Ω
Zero balance:	± 3%Emax	Output impedance:	350 ± 3 Ω
Creep error(30minutes):	± 0.0166% F.S	Insulation resistance at 50V DC:	≥ 2000M Ω
TC Zero:	± 0.0175%F.S/10°C	Material:	Aluminium
TC Span:	+20°C~+40°C, ± 0.0175%F.S/10°C	Cable length:	1.8meter, diameter Φ5mm
	-10°C~+20°C, ± 0.0117%F.S/10°C	Max.platform size:	600 × 800mm
Compensated temperature range:	-10°C~+40°C	Recommended Installation torque:	25N.m(50kg~300kg), 30N.m(500kg~1t)
Operating temperature range:	-20°C~+50°C		

FEATURES:

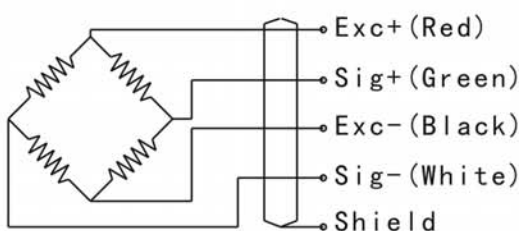
- Capacity: 50kg to 500kg
- Compact structure, easy installation
- OIML C4 Approval

APPLICATION:

- Platform scales



Wiring Diagram



Rated Capacity:	L	L1	L2	L3	H	W	W1	T
50,100,150,200, 250,300,500kg	150	19	98	33	40	50	30	M8

SPECIFICATIONS

Rated capacity:	50kg to 500kg	Maximum safe overload:	150%Emax
Sensitivity:	2.0 ± 0.2mv/v	Ultimate overload:	300%Emax
Accuracy Class:	OIML C4	Recommended Excitation:	10V DC
Repeatability:	± 0.01% F.S	Maximum Excitation:	15V DC
Non-linearity:	± 0.0166% F.S	Protection Class:	IP65
Hysteresis error:	± 0.0166% F.S	Input impedance:	404 ± 15 Ω
Zero balance:	± 3%Emax	Output impedance:	350 ± 3 Ω
Creep error(30minutes):	± 0.0166% F.S	Insulation resistance at 50V DC:	≥ 2000M Ω
Temperature effect on zero:	± 0.0175%F.S/10°C	Material:	Aluminium
Temperature effect on output:	+20°C~+40°C, ± 0.0175%F.S/10°C -10°C~+20°C, ± 0.0117%F.S/10°C	cable length:	1.8meter, diameter Φ5mm
Compensated temperature range:	-10°C~+40°C	Max.platform size:	400 × 500mm
Operating temperature range:	-10°C~+50°C	Recommended Installation torque:	25N.m

FEATURES:

- Capacity: 5kg to 40kg
- Compact design,easy to install
- Certificate of OIML C3

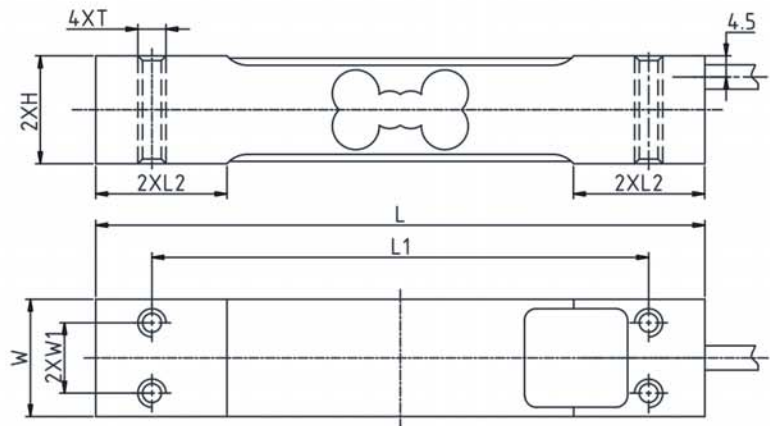
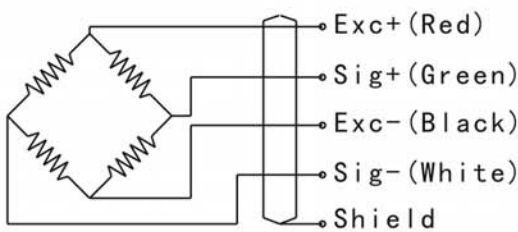


APPLICATION:

- Pricing scales, counting scales, Barcode scale etc.



Wiring Diagram



Rated Capacity:	L	L1	L2	H	W	W1	T
5,8,10,15,20, 30,35,40kg	130	106	28	21.5	24.5	15	M6

SPECIFICATIONS

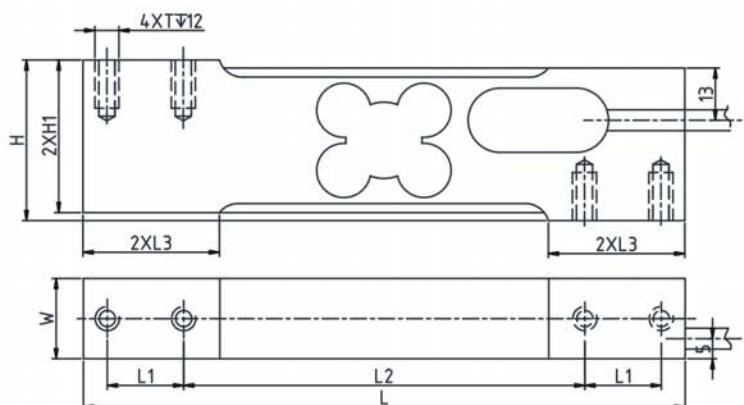
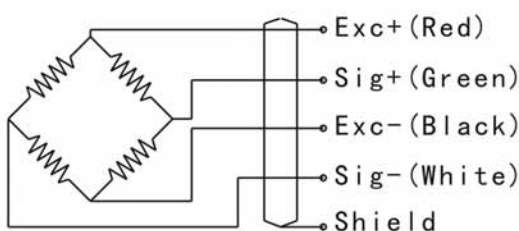
Rated capacity:	5kg to 40kg	Maximum safe overload:	150%Emax
Rated output:	2.0 ± 0.2mv/v	Ultimate safe overload:	300%Emax
Combined error:	OIML C3	Recommended Excitation:	10V DC
Non-repeatability:	± 0.01% F.S	Maximum Excitation:	15V DC
Non-linearity:	± 0.0166% F.S	Environment protection:	Ip65
Hysteresis error:	± 0.0166% F.S	Input impedance:	404 ± 15 Ω
Zero balance:	± 3%Emax	Output impedance:	350 ± 3 Ω
Creep error(30minutes):	± 0.0166% F.S	Insulation resistance at 50V DC:	≥2000MΩ
Temperature effect on zero:	± 0.0175%F.S/10°C	Material:	Aluminium
Temperature effect on output:	+20°C~+40°C, ± 0.0175%F.S/10°C -10°C~+20°C, ± 0.0117%F.S/10°C	Cable length:	0.5meter, diameter Φ5mm
Compensated temperature range:	-10°C~+40°C	Max.platform size:	300 × 350mm
Operating temperature range:	-10°C~+50°C	Installation torque,recommended:	10N.m

FEATURES:

- Capacity: 50kg to 300kg
- Compact design,easy to install
- Certificate of OIML C3


APPLICATION:

- Platform Scale


Wiring Diagram


Rated Capacity:	L	L1	L2	L3	H	W	W1	T
50,100,150, 200,250,300kg	150	25.4	86.6	38	37.5	37.5	25.4	M6

SPECIFICATIONS

Rated capacity:	50kg to 300kg	Maximum safe overload:	150%Emax
Rated output:	2.0 ± 0.2mv/v	Ultimate safe overload:	300%Emax
Combined error:	OIML C3	Recommended Excitation:	10V DC
Non-repeatability:	± 0.01% F.S	Maximum Excitation:	15V DC
Non-linearity:	± 0.0166% F.S	Environment protection:	IP65
Hysteresis error:	± 0.0166% F.S	Input impedance:	404 ± 15 Ω
Zero balance:	± 3%Emax	Output impedance:	350 ± 3 Ω
Creep error(30minutes):	± 0.0166% F.S	Insulation resistance at 50V DC:	≥ 2000M Ω
Temperature effect on zero:	± 0.0175%F.S/10°C	Material:	Aluminium
Temperature effect on output:	+20°C~+40°C, ± 0.0175%F.S/10°C -10°C~+20°C, ± 0.0117%F.S/10°C	Cable length:	1.8meter, diameter Φ5mm
Compensated temperature range:	-10°C~+40°C	Max.platform size:	400 × 500mm
Operating temperature range:	-10°C~+50°C	Installation torque,recommended:	10N.m

FEATURES:

- Capacity: 10kg to 100kg
- Compact design,easy to install
- Certificate of OIML C3

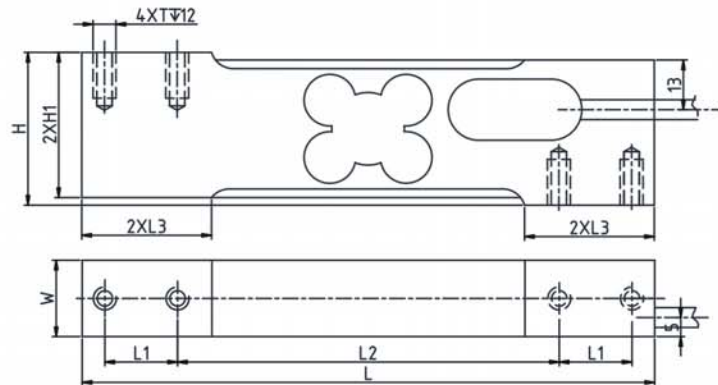
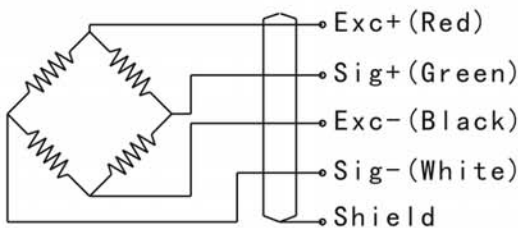


APPLICATION:

- Pricing scales, counting scales, Barcode scale etc.



Wiring Diagram



Rated Capacity:	L	L1	L2	L3	H	H1	W	T
10,15,20,30kg	150	19.05	100	34	40	38	20	M6
50,75,100kg	150	19.05	100	34	40	38	25	M6

SPECIFICATIONS

Rated capacity:	10kg to 100kg	Maximum safe overload:	150%Emax
Rated output:	2.0 ± 0.2mv/v	Ultimate safe overload:	300%Emax
Combined error:	OIML C3	Recommended Excitation:	10V DC
Non-repeatability:	± 0.01% F.S	Maximum Excitation:	15V DC
Non-linearity:	± 0.0166% F.S	Environment protection:	IP65
Hysteresis error:	± 0.0166% F.S	Input impedance:	404 ± 15 Ω
Zero balance:	± 3%Emax	Output impedance:	350 ± 3 Ω
Creep error(30minutes):	± 0.0166% F.S	Insulation resistance at 50V DC:	≥ 2000M Ω
Temperature effect on zero:	± 0.0175%F.S/10°C	Material:	Aluminium
Temperature effect on output:	+20°C~+40°C, ± 0.0175%F.S/10°C -10°C~+20°C, ± 0.0117%F.S/10°C	Cable length:	1.8meter, diameter Φ 5mm
Compensated temperature range:	-10°C~+40°C	Max.platform size:	300 × 400mm
Operating temperature range:	-10°C~+50°C	Installation torque,recommended:	10N.m

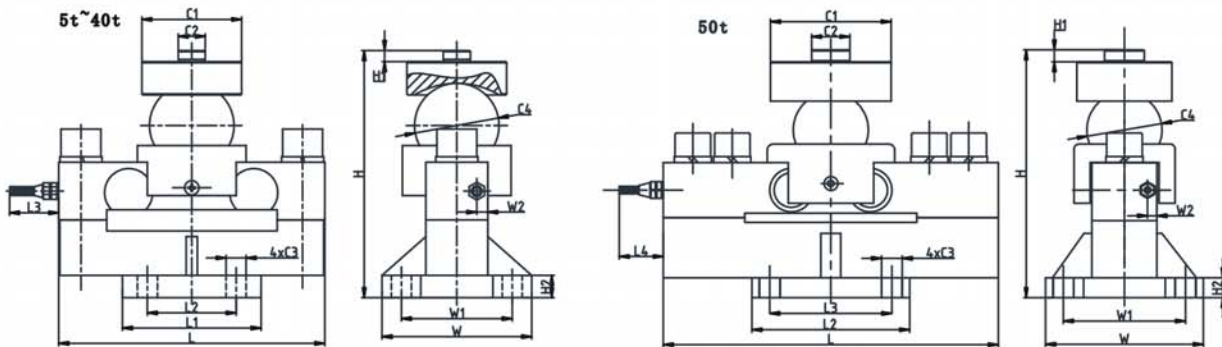
Double-ended shear beam

FEATURES:

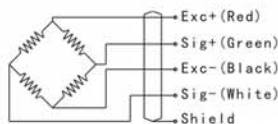
- Capacity: 5t to 50t
- Steel ball loading, strong restoration ability
- Easy complete installation, high weighing accuracy
- OIML C3 Approval

APPLICATION:

- Weighbridge
- Railway Scale
- Batch scale and all kinds of weighing apparatus



Wiring Diagram



Rated Capacity:	L	L1	L2	L3	W	W1	W2	H	H1	H2	C1	C2	C3	C4
5	224	125	80	45	135	100	10	168.8	11	20	Φ68	Φ30	Φ18	Φ50.8
10、15、20、25、30	240	125	80	45	135	100	10	223.5	11	20	Φ85~88	Φ30	Φ18	Φ75
40	240	125	80	45	135	100	10	239.5	11	20	Φ88	Φ30	Φ18	Φ75
50	340	160	124	45	160	124	10	260	11	20	Φ98	Φ40	Φ22	Φ75

SPECIFICATIONS

Rated capacity:	5ton to 50ton	Maximum safe overload;	150% OF R.C
Rated output:	2.0 ± 0.002mv/v	Ultimate safe overload;	200% OF R.C
Combined error:	± 0.03% F.S	Recommended Excitation;	10 to 12V DC
Non-repeatability:	± 0.02% F.S	Maximum Excitation;	15V DC
Non-linearity:	± 0.02% F.S	Environment protection:	IP68
Hysteresis error:	± 0.02% F.S	Input impedance:	750 ± 10Ω
Zero balance:	± 1% F.S	Output impedance:	702 ± 3Ω ; 703 ± 5Ω (导线 ≥ 15m);
Creep error(30minutes):	± 0.02% F.S	Insulation resistance at 50V DC:	≥ 5000MΩ
Temperature effect on zero:	± 0.02% F.S	Material:	nickel-plated alloy steel;
Temperature effect on output:	± 0.02% F.S	Cable length:	5.2meter(5t); 8meter(10t); 10meter(15t); 10/12meter(20t); 12/16 meter(25t~50t), diameter 6mm
Compensated temperature range:	-10 to +40℃		
Operating temperature range:	-30 to +70℃		

Double-ended shear beam

FEATURES:

- Capacity: 10klb to 125klb
- High output signal
- Complete hermetical sealed, high protection class
- OIML C3 Approval /NTEP III L M10000 Approval
- Stainless Steel, Alloy steel optional

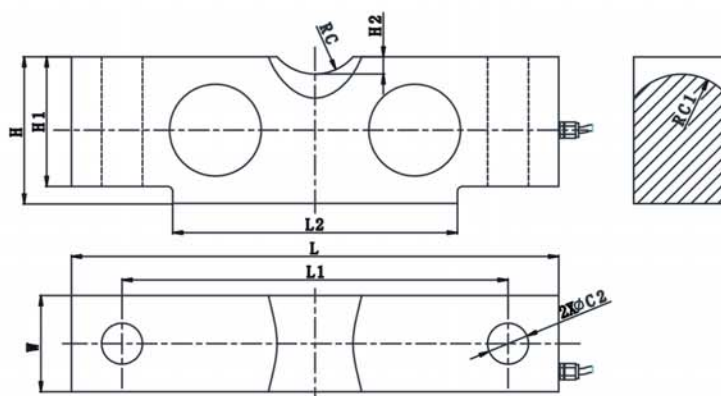
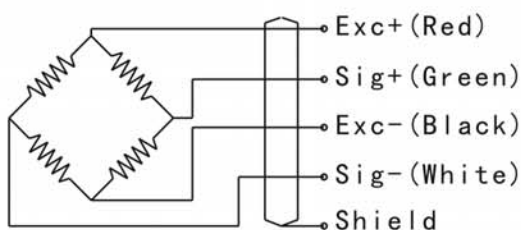


APPLICATION:

- Weighbridge
- Tank Scale



Wiring Diagram



Rated Capacity:	L	L1	L2	W	H	H1	H2	C	C1	C2
10,15,25	196.9	165.1	125.1	42.9	49.3	43.2	1.8	19.1	22.9	17.3
40	260.4	215.9	162.4	49.3	62	53.3	2.5	25.4	28.5	21
50,65,75	260.4	216	162.4	62	74.7	67.3	2.8	25.4	34.8	27
100,125	387.4	323.8	228.4	73.6	98	87.1	3.3	38.1	45.7	41

SPECIFICATIONS

Rated capacity: 10klb to 125klb
 Rated output: $3.0 \pm 0.003\text{mv/v}$
 Combined error: $\pm 0.05\%$ F.S
 Non-repeatability: $\pm 0.02\%$ F.S
 Non-linearity: $\pm 0.05\%$ F.S
 Hysteresis error: $\pm 0.03\%$ F.S
 Zero balance: $\pm 1\%$ F.S
 Creep error(30minutes): $\pm 0.03\%$ F.S
 Temperature effect on zero: $\pm 0.02\%$ F.S
 Temperature effect on output: $\pm 0.02\%$ F.S
 Compensated temperature range: -10 to $+40^\circ\text{C}$

Operating temperature range: -30 to $+70^\circ\text{C}$
 Maximum safe overload; 150% OF R.C
 Ultimate safe overload; 200% OF R.C
 Recommended Excitation; 10 to 12V DC
 Maximum Excitation; 15V DC
 Environment protection: IP68
 Input impedance: $750 \pm 10\ \Omega$
 Output impedance: $702 \pm 3\ \Omega$
 Insulation resistance at 50V DC: $\geq 5000\text{M}\ \Omega$
 Material: nickel-plated alloy steel
 Cable length: 12/16meter, diameter 6mm

Double-ended shear beam

FEATURES:

- Capacity: 25klb to 125klb
- High output signal
- Complete hermetical sealed, high protection class
- NTEP III L M10000 approval
- Stainless steel, alloy steel optional

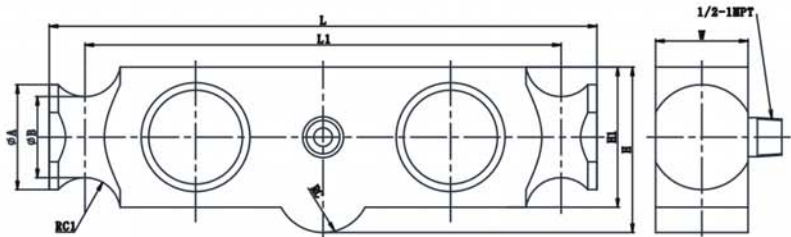
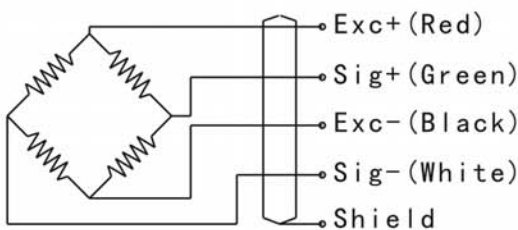


APPLICATION:

- Weighbridge
- Tank Scale



Wiring Diagram



Rated Capacity:	L	L1	W	H	H1	A	B	C	C1
25~40	209.6	184	49.3	75.5	62	50.8	41.4	12.7	12.7
50~75	292.1	254	49.3	88.15	74.7	55.9	43.2	25.4	19.05
100~125	368.3	317.5	73.7	118.9	98	81.3	62	38.1	25.4

SPECIFICATIONS

Rated capacity:	25klb to 125klb	Operating temperature range:	-30 to +70°C
Rated output:	3.0 ± 0.003mv/v	Maximum safe overload;	150% OF R.C
Combined error:	± 0.05% F.S	Ultimate safe overload;	200% OF R.C
Non-repeatability:	± 0.02% F.S	Recommended Excitation;	10 to 12V DC
Non-linearity:	± 0.05% F.S	Maximum Excitation;	15V DC
Hysteresis error:	± 0.03% F.S	Environment protection:	IP68
Zero balance:	± 1% F.S	Input impedance:	750 ± 10Ω
Creep error(30minutes):	± 0.03% F.S	Output impedance:	702 ± 3Ω
Temperature effect on zero:	± 0.02% F.S	Insulation resistance at 50V DC:	≥5000MΩ
Temperature effect on output:	± 0.02% F.S	Material:	nickel-plated alloy steel
Compensated temperature range:	-10 to +40°C	Cable length:	12/16 meter, diameter 6mm

Double-ended shear beam

FEATURES:

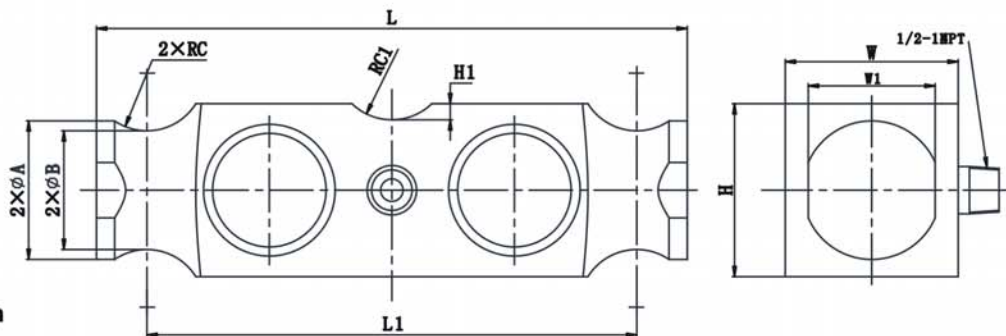
- Capacity: 30klb to 150klb
- High output signal
- Complete hermetical sealed, high protection class
- NTEP III L M10000 Approval



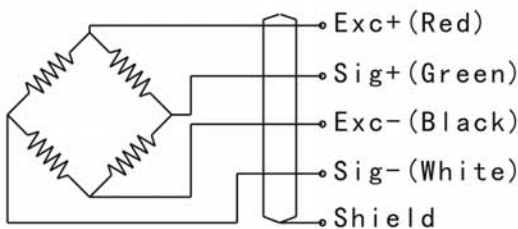
- Stainless Steel, alloy steel optional

APPLICATION:

- Weighbridge
- Tank Scale



Wiring Diagram



Rated Capacity:	L	L1	W	W1	H	H1	C	C1	A	B
30,40	209.6	184.2	62	49.3	62	6.3	12.7	12.7	50.8	41.4
50,60,65,75, 100,125,150	260.4	215.9	76.2	55.9	76.2	7.1	25.4	25.4	61	52.3

SPECIFICATIONS

Rated capacity:	30klb to 150klb	Operating temperature range:	-30 to +70°C
Rated output:	3.0 ± 0.003mv/v	Maximum safe overload;	150% OF R.C
Combined error:	± 0.05% F.S	Ultimate safe overload;	200% OF R.C
Non-repeatability:	± 0.02% F.S	Recommended Excitation;	10 to 12V DC
Non-linearity:	± 0.05% F.S	Maximum Excitation;	15V DC
Hysteresis error:	± 0.03% F.S	Environment protection:	IP68
Zero balance:	± 1% F.S	Input impedance:	750 ± 10 Ω
Creep error(30minutes):	± 0.03% F.S	Output impedance:	702 ± 3 Ω
Temperature effect on zero:	± 0.02% F.S	Insulation resistance at 50V DC:	≥ 5000M Ω
Temperature effect on output:	± 0.02% F.S	Material:	nickel-plated alloy steel
Compensated temperature range:	-10 to +40°C	Cable length:	12/16 meter, diameter 6mm

FEATURES:

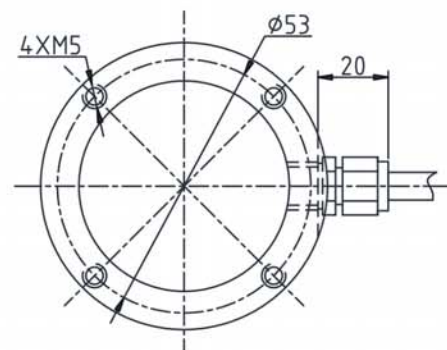
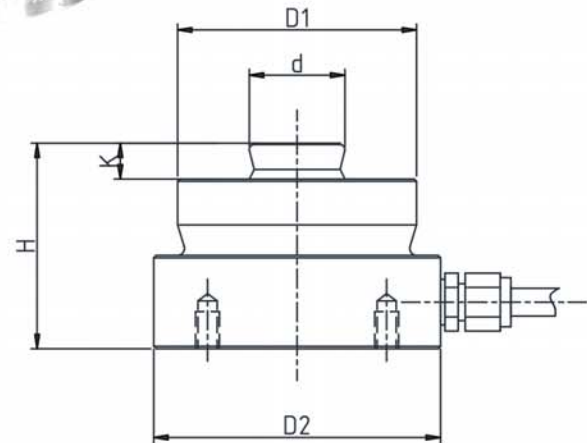
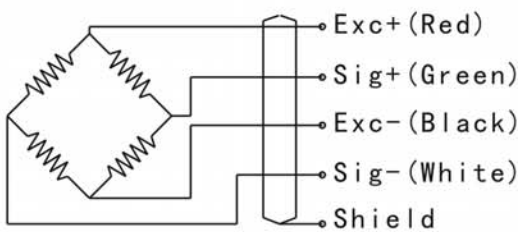
- Capacity: 1t to 4.7t
- Small forced interface
- Low-profile
- Alternative alloy steel, stainless steel

APPLICATION:

- Bench scale
- Silo/tank/hopper scale



Wiring Diagram



Rated Capacity:	D1	D2	d	K	H
1t~4.7t	Φ50	Φ60	Φ20	7.5	43

SPECIFICATIONS

Rated capacity:	1ton to 4.7ton	Operating temperature range:	-30 to +70°C
Rated output:	2.85 ± 0.015mv/v	Maximum safe overload:	150% OF R.C
Combined error:	± 0.1% F.S	Ultimate safe overload:	180% OF R.C
Non-repeatability:	± 0.02% F.S	Recommended Excitation:	10 to 12V DC
Non-linearity:	± 0.1% F.S	Maximum Excitation:	15V DC
Hysteresis error:	± 0.1% F.S	Environment protection:	IP67
Zero balance:	± 1% F.S	Input impedance:	1450 ± 10 Ω
Creep error(30minutes):	± 0.03% F.S	Output impedance:	1402 ± 5 Ω
Temperature effect on zero:	± 0.02% F.S	Insulation resistance at 50V DC:	≥ 5000M Ω
Temperature effect on output:	± 0.02% F.S	Material:	nickel-plated alloy steel
Compensated temperature range:	-10 to +40°C	Cable length:	8meter, diameter 6mm

FEATURES:

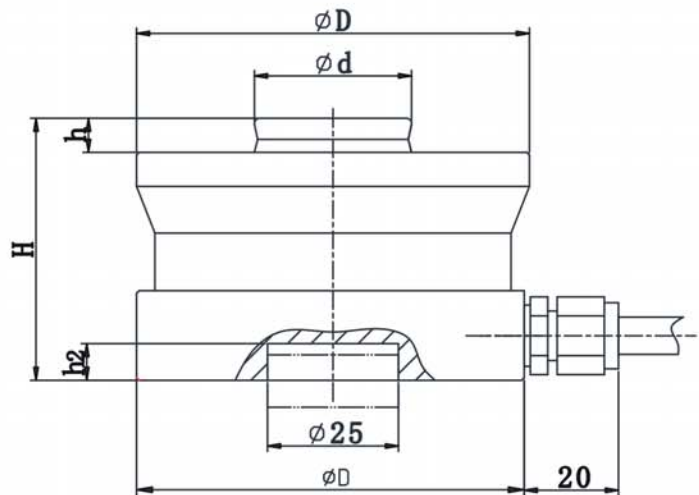
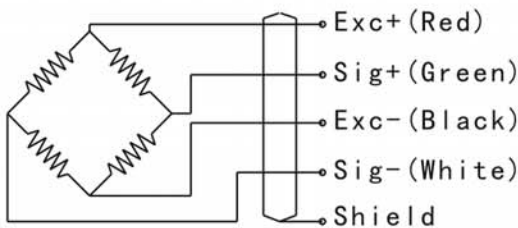
- Capacity: 10t to 470t
- Flat forced interface
- Low-profile
- Alternative alloy steel, stainless steel

APPLICATION:

- Axle scale
- Hopper/tank/silo scale



Wiring Diagram



Rated Capacity:	D	d	H	h	h2
10t, 15t, 22t	75	30	50	6.5	7
33t	95	40	65	10	7
47t	130	60	75	14	7
68t	130	60	85	14	7
100t	150	70	90	16	7
150t	150	70	100	16	7
220t	225	100	130	24	10

SPECIFICATIONS

Rated capacity:	10ton to 470ton	Operating temperature range:	-30 to +70°C
Output:	2.85 ± 0.015mv/v	Maximum safe overload;	150% OF R.C
Combined error:	± 0.05% F.S, ± 0.1% F.S	Ultimate safe overload;	180% OF R.C
Non-repeatability:	± 0.02% F.S	Recommended Excitation;	10 to 12V DC
Non-linearity:	± 0.05% F.S, ± 0.1% F.S	Maximum Excitation;	15V DC
Hysteresis error:	± 0.05% F.S, ± 0.1% F.S	Environment protection:	IP67
Zero balance:	± 1% F.S	Input impedance:	1450 ± 10Ω
Creep error(30minutes):	± 0.02% F.S	Output impedance:	1402 ± 5Ω
Temperature effect on zero:	± 0.02% F.S	Insulation resistance at 50V DC:	≥ 5000MΩ
Temperature effect on output:	± 0.02% F.S	Material:	nickel-plated alloy steel
Compensated temperature range:	-10 to +40°C	cable length:	12meter(10t-33t), 16meter(47t-220t),diameter 6mm

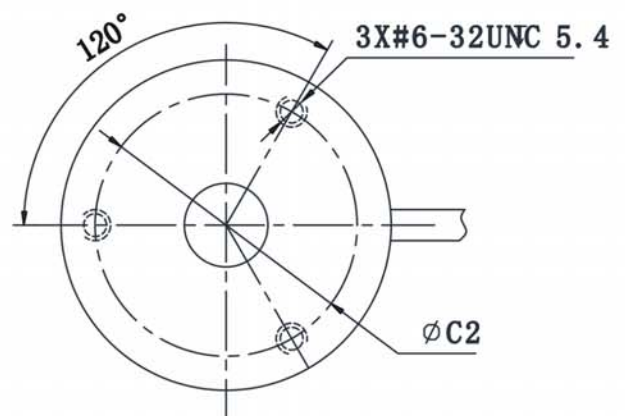
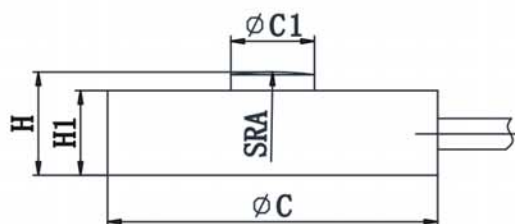
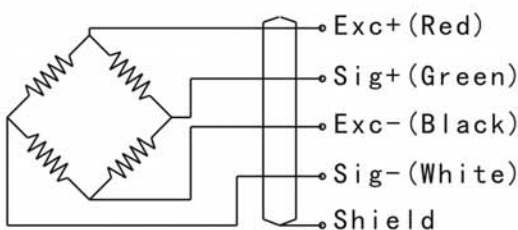
Single-ended shear beam

FEATURES:

- Capacity 200lb to 5klb
- Low-profile, compact
- Stainless steel


APPLICATION:

- Force measurement at small space

Wiring Diagram


Rated Capacity:	C	C1	C2	H	H1	A
200lb、250lb、 500lb、1klb	32	8.1	25.4	10	8.2	35
3klb、5klb	38	10	31.4	16	14	40

SPECIFICATIONS

Rated capacity:	200lb to 5klb	Compensated temperature range:	-10 to +40°C
Rated output:	1.0~2.0mv/v	Operating temperature range:	-30 to +70°C
Combined error:	±0.5% F.S.(200lb~1klb); ±1% F.S.(3klb~5klb)	Maximum safe overload;	120% OF R.C
Non-repeatability:	±0.05% F.S	Ultimate safe overload;	150% OF R.C
Non-linearity:	±0.5% F.S.(200lb~1klb); ±1% F.S.(3klb~5klb)	Recommended Excitation;	5 to 10V DC
Hysteresis error:	±0.5% F.S.(200lb~1klb); ±1% F.S.(3klb~5klb)	Maximum Excitation;	10V DC
Zero balance:	±2% F.S	Environment protection:	IP66
Creep error(30minutes):	±0.2% F.S	Input impedance:	350 ± 50 Ω
Temperature effect on zero:	±0.1% F.S	Output impedance:	352 ± 3 Ω
Temperature effect on output:	±0.2% F.S	Insulation resistance at 50V DC:	≥2000MΩ
		Material:	Stainless steel
		cable length:	1.5 meter, diameter 3mm

Aluminium single-point

FEATURES:

- Capacity: 3.75kg to 150kg
- Compact, easy installation

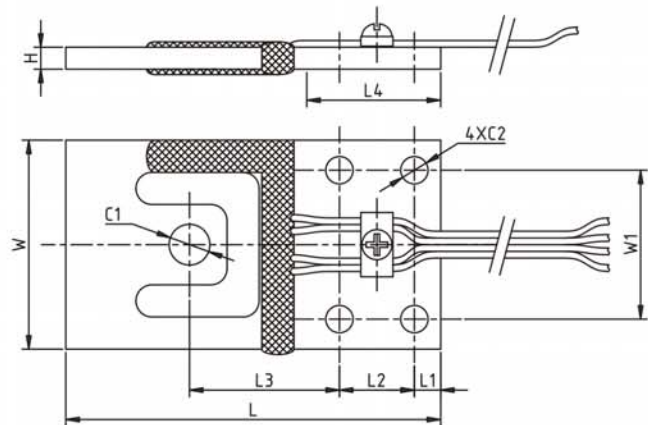
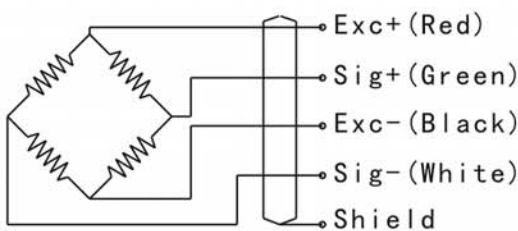


APPLICATION:

- Ultra-low platform scale



Wiring Diagram



Rated Capacity:	L	L1	L2	L3	L4	H	W	W1	C1	C2
3.75kg	70	4.9	14	28	23.7	2	39	27.8	5.1	5.1
7.5kg	70	4.9	14	28	23.7	2.5	39	27.8	5.1	5.1
15kg	70	4.9	14	28	23.7	4.1	39	27.8	7.6	5.1
37.5kg	76.2	6	15	29.3	27	4.8	44.5	30	7.6	6.6
75kg	84.4	6.4	15	34	27.7	6.4	54.8	30	7.6	6.6
150kg	107.3	7.8	22.9	45.9	38.4	7.9	69.9	44.5	9.1	8.1

SPECIFICATIONS

Rated capacity:	3.75kg to 150kg	Compensated temperature range:	-10°C~+40°C
Rated output:	1.0 ± 0.2mv/v	Operating temperature range:	-20°C~+50°C
Combined error:	/	Maximum safe overload:	150%Emax
Non-repeatability:	± 0.01% F.S	Ultimate safe overload:	300%Emax
Non-linearity:	± 0.0166% F.S	Recommended Excitation:	10V DC
Hysteresis error:	± 0.0166% F.S	Maximum Excitation:	15V DC
Zero balance:	± 3%Emax	Environment protection:	IP65
Creep error(30minutes):	± 0.0166% F.S	Input impedance:	1220 ± 15 Ω
Temperature effect on zero:	± 0.0175%F.S/10°C	Output impedance:	1000 ± 5 Ω
Temperature effect on output:	+20°C~+40°C, ± 0.0175%F.S/10°C -10°C~+20°C, ± 0.0117%F.S/10°C	Insulation resistance at 50V DC:	≥ 2000M Ω
		Material:	Aluminium
		Material:	Aluminium
		cable length:	0.5meter, diameter(flat cable)